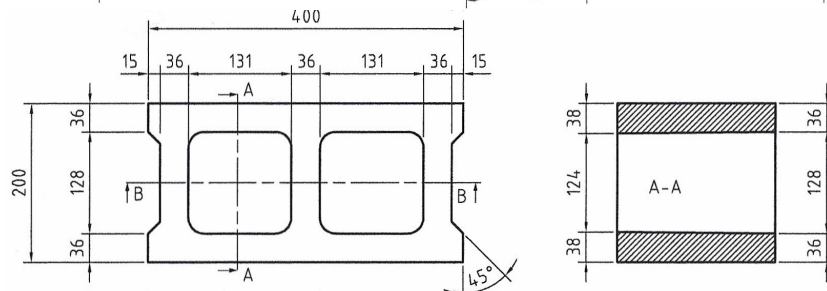
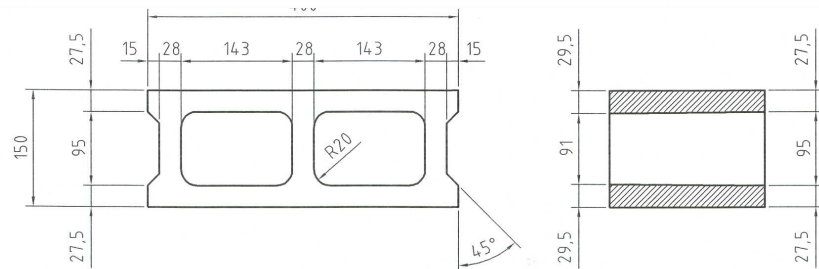
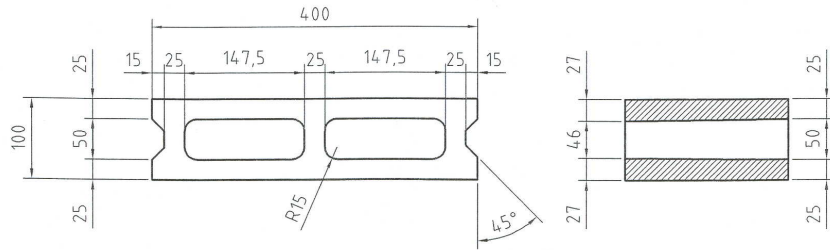


TECHNICAL DATA

STANDARD MASONRY HOLLOW BLOCK

Limestone -10.3N/mm² (Net area Comp Strength) OPC/SRC



Dimensions mm	Type	Prod code	Net Area-Nmm ²	Weight Kg	Colour	Fire Rated
400 x 100 x 200	4" Holl	11052 T	10.3	12	Grey	Yes
400 x 150 x 200	6" Holl	11102 T	10.3	15	Grey	Yes
400 x 200 x 200	8" Holl	11152 T	10.3	20.5	Grey	Yes
Type	Wall Thickness mm		Concrete Density Kg/m ³			
8" Holl	36		2,200 - 2,350			
6" Holl	28		2,200 - 2,350			
4" Holl	26		2,200 - 2,350			

Conformity

Aamal Blocks are manufactured
Conforming to Qatar (QCS 2014)
Valid UCC D1/D2 Project Specification

Aamal Cement Industries Co.W.L.L

P.O Box: 40632, Doha - Qatar

Industrial Area, Street No 41

Tel: +974 44502010

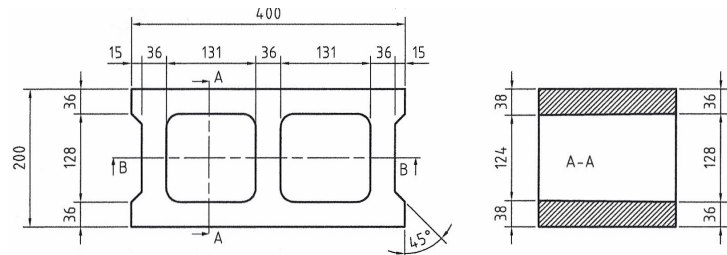
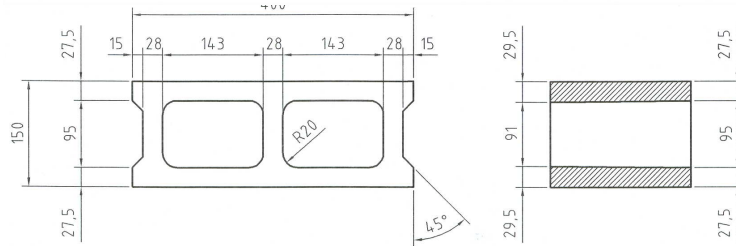
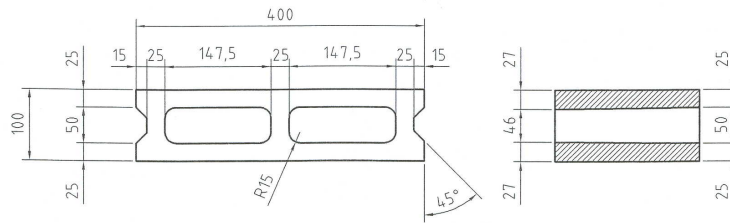
Fax: +974 44514778

E-Mail keith.smith@aamalcement.com

TECHNICAL DATA

STANDARD MASONRY HOLLOW BLOCK

Gabbro 10.4 N/mm² OPC / SRC



Dimensions mm	Type	Strength N/mm ²	Weigh	Colour	Fire Rated
400 x 100 x 200	4" Holl	10.4	12.5	Grey	Yes
400 x 150 x 200	6" Holl	10.4	16	Grey	Yes
400 x 200 x 200	8" Holl	10.4	21.5	Grey	3 hr

Type	Wall Thickness mm	Concrete Density Kg/m ³
8" Holl	36	2,200 - 2,350
6" Holl	28	2,200 - 2,350
4" Holl	26	2,200 - 2,350

Conformity

Aamal Products are manufactured
Conforming to Qatar (QCS 2014)
ASTM - C 90

Aamal Cement Industries Co.W.L.L

P.O Box: 40632, Doha - Qatar

Industrial Area, Street No 41

Tel: +974 44502010

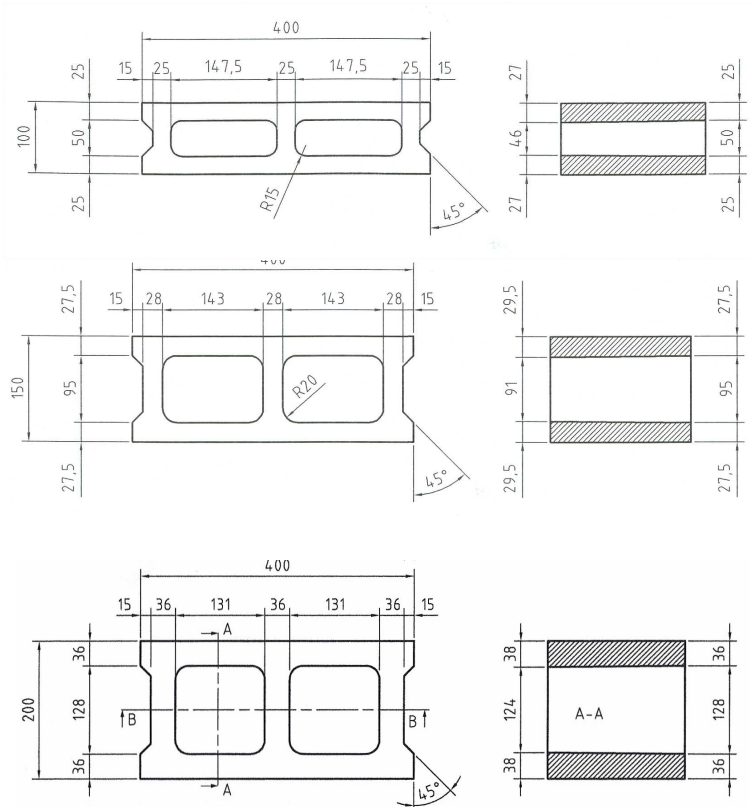
Fax: +974 44514778

E-Mail keith.smith@aamalcement.com

TECHNICAL DATA

STANDARD MASONRY HOLLOW BLOCK

Limestone 4.0 N OPC / SRC- Internal Non Load Bearing



Limestone Hollow Block

Dimensions mm	Type	Strength K/N/	Weight Kg	Colour	Fire Rated
400 x 100 x 200	4" Holl	4.0 N	12	Grey	Yes
400 x 150 x 200	6" Holl	4.0 N	15	Grey	N/A
400 x 200 x 200	8" Holl	4.0 N	20.5	Grey	Yes

Type	Wall Thickness mm	Concrete Density Kg/m3
8" Holl	36	2,200 - 2,350
6" Holl	28	2,200 - 2,350
4" Holl	26	2,200 - 2,350

Conformity

Aamal Products are manufactured
Conforming to Qatar (QCS 2014)

Aamal Cement Industries Co.W.L.L

P.O Box: 40632, Doha - Qatar

Industrial Area, Street No 41

Tel: +974 44502010

Fax: +974 44514778

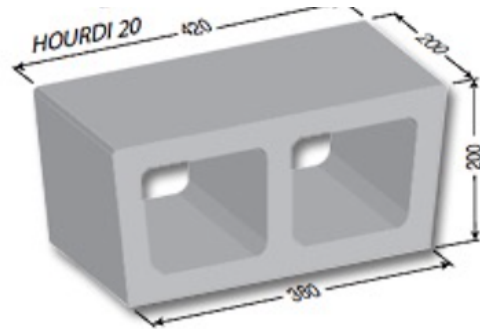
E-Mail keith.smith@aamalcement.com



TECHNICAL DATA

STANDARD MASONRY HOURDI BLOCK

Limestone 5.0 / 7.0 N OPC



□

Dimensions mm	Type	Strength K/N/	Weight Kg	Colour	Fire Rated
420 X 380X 200	8" Hourdi	5.0 - 7.0 N	18	Grey	n/a

Conformity

Aamal Products are manufactured
Conforming to Qatar (QCS 2014)

Aamal Cement Industries Co.W.L.L

P.O Box: 40632, Doha - Qatar

Industrial Area, Street No 41

Tel: +974 44502010

Fax: +974 44514778

E-Mail keith.smith@aamalcement.com



TECHNICAL DATA

Standard Masonry Solid Block

Limestone 14.0 N/mm² Compressive strength



Dimensions mm	Strength N/mm ²	Product Code	Weight Kg	Bundle Size Pcs
400 x 200 x 200	14.00	21102 T	35	54
400 x 150 x 200	14.00	21152 T	27	72
400 x 100 x 200	14.00	21202 T	18	99

Type	Conc Density Kg/m ³	Color	Fire Rated
8" Solid	1900-2200	Grey	Yes
6" Solid	1900-2200	Grey	Yes
4" Solid	1900-2200	Grey	Yes

Conformity

Aamal Blocks are manufactured
Conforming to Qatar (QCS 2014)

Aamal Cement Industries Co.W.L.L

P.O Box: 40632, Doha - Qatar

Industrial Area, Street No 41

Tel: +974 44502010

Fax: +974 44514778

E-Mail keith.smith@aamalcement.com



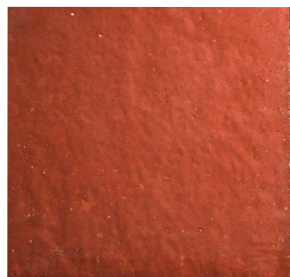
TECHNICAL DATA

Concrete Paving Slab / Tile

400x400x40, 500x500x50, 600x600x60 mm



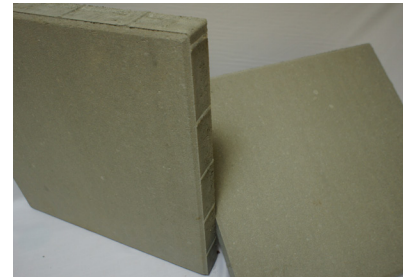
Slate Surface



Textured Surface



Smooth Surface



Slab

Beige



Yellow



Light Brown



Size

Dimensions mm	Strength N/mm ²	Weight Kg	Pcs per m ²
400 x 400 x 40	*	14.5	6.25
400 x 400 x 50	*	15.5	6.25
500 x 500 x 50	*	32.00	4.00
600 x 600 x 60	*	54	2.80

Conformity * > 7.5 K/N Transverse Strength

Aamal paving slabs are manufactured
Conforming to QCS 2014

Aamal Cement Industries Co.W.L.L

P.O Box: 40632, Doha - Qatar

Industrial Area, Street No 41

Tel: +974 44502010

Fax: +974 44514778

E-Mail keith.smith@aamalcement.com



Style	Dimensions mm	Height mm	Weight Kg	Strength N/mm ²	Pcs m ²	Area m ²
Unipave	225 x 112.5	60 / 80	3.8 / 4.8	49	39	0.0257
Rectangle	200 x 100	60 / 80	2.8 / 3.9	49	50	0.02
Behaton	198 x 163	60 / 80 / 100	4.71 / 5.2 / 6.5	49	37	0.0273
Rectangle	200 x 100	60 / 80	2.8 / 3.9	49	50	0.02
Rectangle	Uni	60	6.9	49	22	0.045
Square	200 x 200	60 / 80	5.5 / 7.30	49	25	0.040
Square	150 x 150	60	3.5	49	44	0.0225
Square	100 x 100	60 / 80	1.45 / 1.83	49	100	0.01
Behaton	198 x 163	60 / 80 / 100	4.20 / 5.2 / 6.5	49	37	0.0273
rectangle	240 x 160	80	7.5	49	26	0.038



TECHNICAL DATA

Shot Blast Interlock Colour chart

Concrete Interlock Paving



SBG39400005



SBR-1



SBY



SB-MBGE-1



SB-DBGE-1



SB-LBGE-1



SB-NEU-1

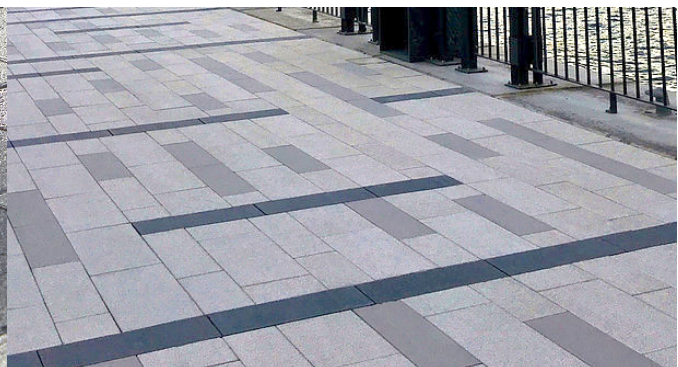


SB-BRN-1



TECHNICAL DATA

Concrete Interlock Paving **Shot Blast- Marble Chip**



Aamal Cement Industries Co.W.L.L

P.O Box: 40632, Doha - Qatar

Industrial Area, Street No 41

Tel: +974 44502010

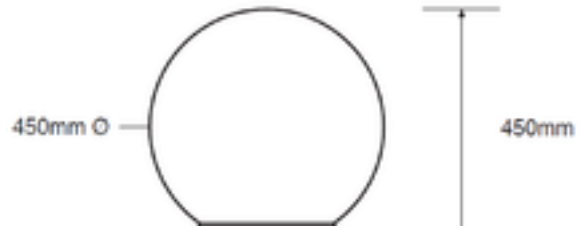
Fax: +974 44514778

E-Mail keith.smith@aamalcement.com



TECHNICAL DATA

Concrete / GFRS Urban Furniture



Product	Weight Kg	Diameter mm	Length mm	Width mm	Height	Color Various
Sphere	118	450				
Bench			2000	600	Various	
Planter			Various	Various	Various	
Bollard	280	350 / 250	1400			

Conformity

Aamal Curbstone are manufactured
Conforming QCS 2014

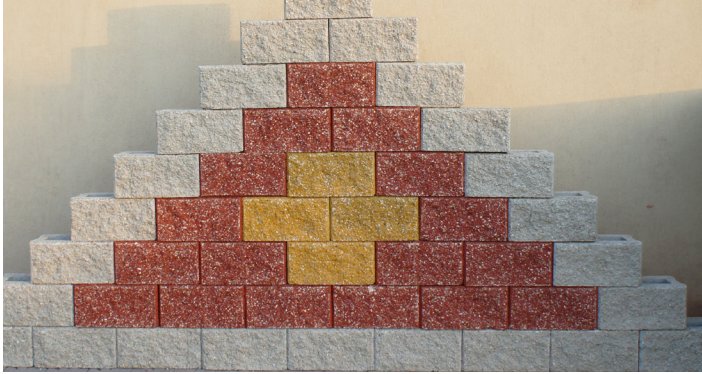
Aamal Cement Industries Co.W.L.L

P.O Box: 40632, Doha - Qatar
Industrial Area, Street No 41

Tel: +974 44502010

Fax: +974 44514778

E-Mail keith.smith@aamalcement.com



Range of Hollow split block with stone effect face giving durability as well as being a cost effective alternative to stone which compliment our existing range of block and Interlock paving stones and Decorative Paving Slabs.



Dimensions mm	Strength N/mm ²	Weight Kg	Bundle Size Pcs
Hollow 400 x 200 x 200	7 N	21	90
Solid 400 x 100 x 200	12.5 N	17.5	99
Solid 400 x 75 x 200	12.5 N	14	144

Conformity

Aamal Blocks are manufactured
Conforming to Qatar (QCS 2014)

Aamal Cement Industries Co.W.L.L

P.O Box: 40632, Doha - Qatar

Industrial Area, Street No 41

Tel: +974 44502010

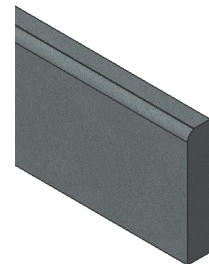
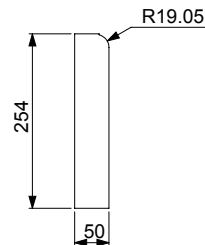
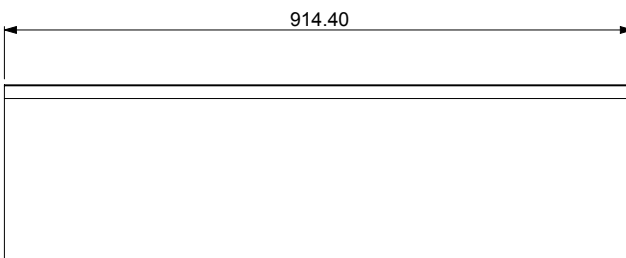
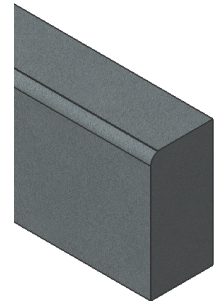
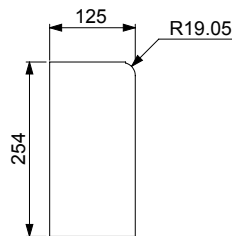
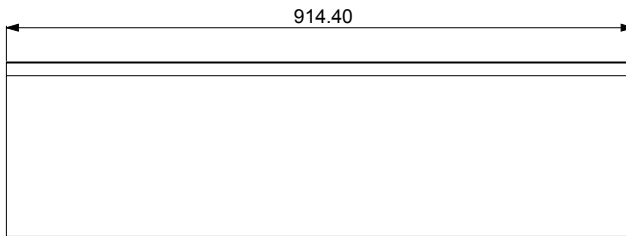
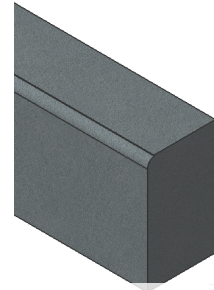
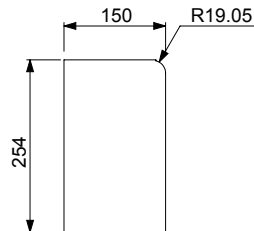
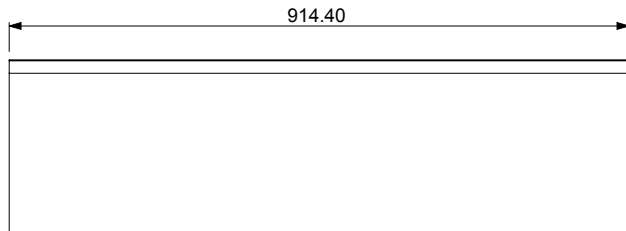
Fax: +974 44514778

E-Mail keith.smith@aamalcement.com

TECHNICAL DATA

CONCRETE CURBSTONE - 254 - SRC

BULLNOSE BN



Dimensions In mm	Bullnose BN 1	Bullnose BN 2	Bullnose BN 3	Bullnose BN 4
Length	914.4	914.4	914.4	914.4
Height	254	254	254	254
width	150	125	100	50
weight	90	75	61	30

Conformity

Aamal Curbstone are manufactured
Conforming to QCS 2014

Aamal Cement Industries Co.W.L.L

P.O Box: 40632, Doha - Qatar

Industrial Area, Street No 41

Tel: +974 44502010

Fax: +974 44514778

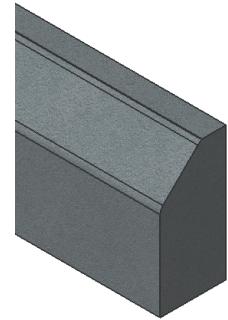
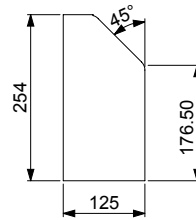
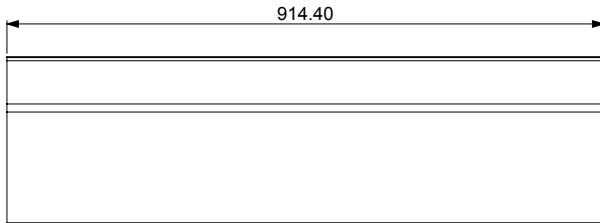
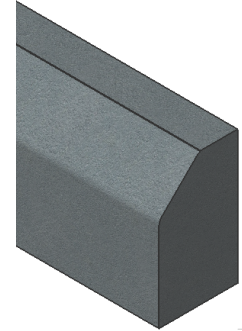
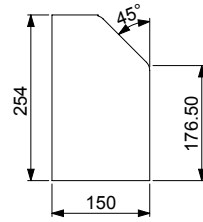
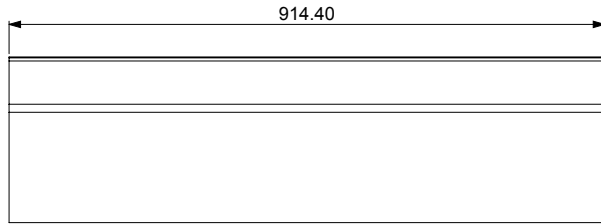
E-Mail keith.smith@aamalcement.com



TECHNICAL DATA

CONCRETE CURBSTONE - 254 - SRC

45 SPLAY



Dimensions In mm	45 Splay 150	45 splay 125
Length	914.4	914.4
Height	254	254
width	150	125
weight	78	65

Conformity

Aamal Curbstone ar manufactured
Conforming to QCS 2014

Aamal Cement Industries Co.W.L.L

P.O Box: 40632, Doha - Qatar
Industrial Area, Street No 41

Tel: +974 44502010

Fax: +974 44514778

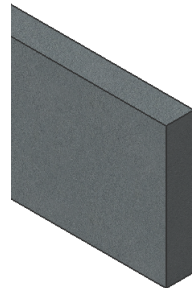
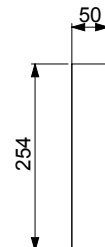
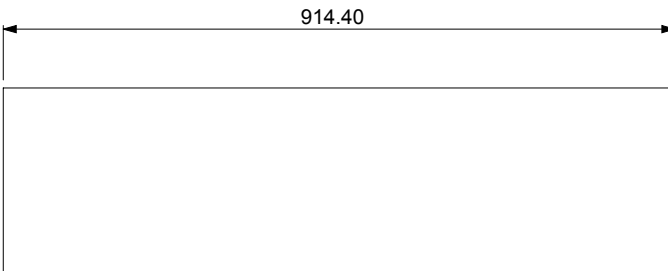
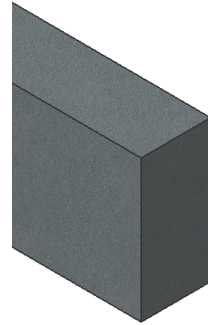
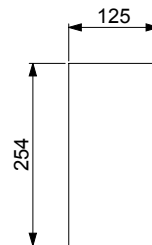
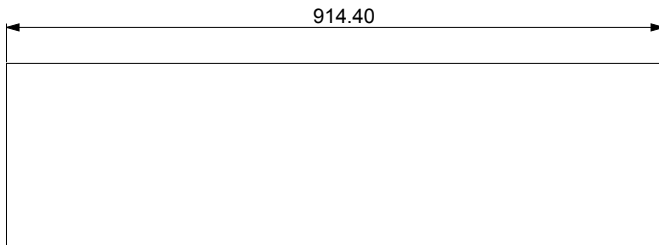
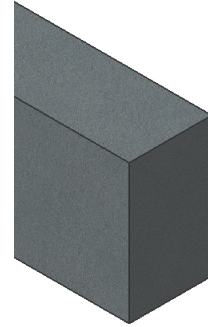
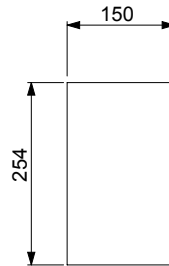
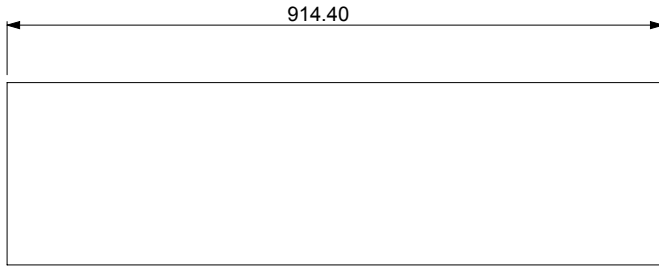
E-Mail keith.smith@aamalcement.com



TECHNICAL DATA

CONCRETE CURBSTONE

Flush / Flat CHANNEL



Dimensions	Flat Channel 150 mm	Flat Channel 125 mm	Flat Channel 100 mm	Flat Channel 75 mm	Flat Channel 50 mm
Length	914.4	914.4	914.4	914.4	914.4
Height	254	254	254	254	254
width	150	125	100	75	50
weight	90	76	60	45	31

Conformity

Aamal Curbstone are manufactured
Conforming to QCS 2014

Aamal Cement Industries Co.W.L.L

P.O Box: 40632, Doha - Qatar
Industrial Area, Street No 41

Tel: +974 44502010

Fax: +974 44514778

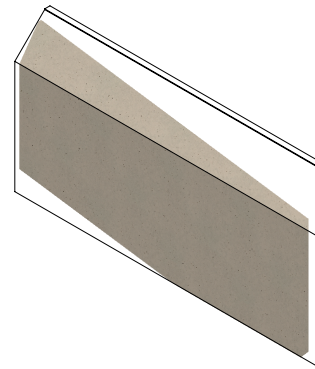
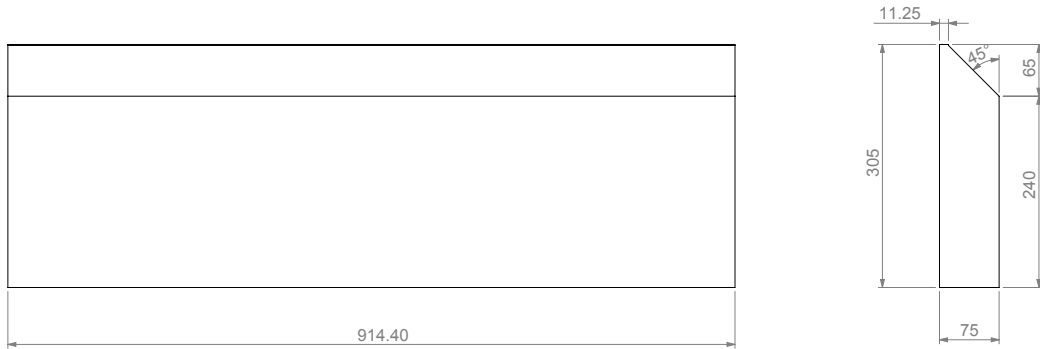
E-Mail keith.smith@aamalcement.com



TECHNICAL DATA

CONCRETE CURBSTONE - 305 mm-SRC

Garden Edge Curb 75 mm



Dimensions mm	Garden Edge 75 mm								
Length	914.4								
Height	304.8								
Width	75								
Weight Kg	56.5								

Conformity

Aamal Curbstone are manufactured
Conforming to QCS 2014

Aamal Cement Industries Co.W.L.L

P.O Box: 40632, Doha - Qatar
Industrial Area, Street No 41

Tel: +974 44502010

Fax: +974 44514778

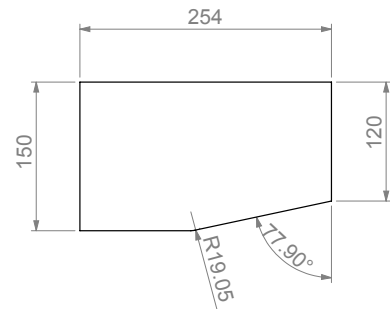
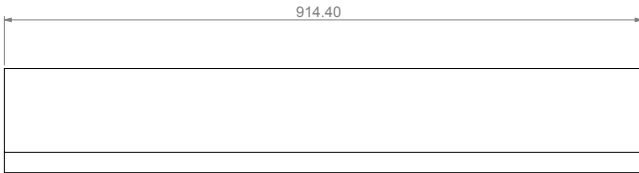
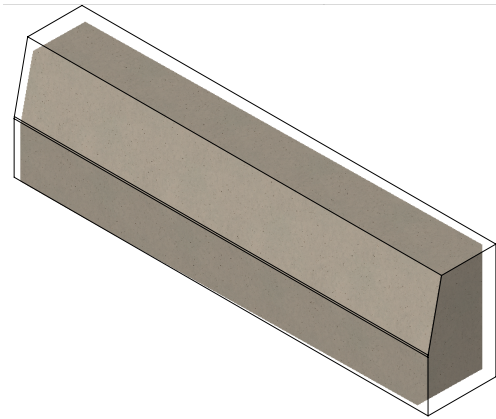
E-Mail keith.smith@aamalcement.com



TECHNICAL DATA

CONCRETE CURBSTONE - 254 mm-SRC

Drop curb 150 mm



Dimensions mm	Drop Curb 150 mm								
Length	914.4								
Height	254								
Width	150								
Weight Kg	84								

Conformity

Aamal Curbstone are manufactured
Conforming to QCS 2014

Aamal Cement Industries Co.W.L.L

P.O Box: 40632, Doha - Qatar
Industrial Area, Street No 41

Tel: +974 44502010

Fax: +974 44514778

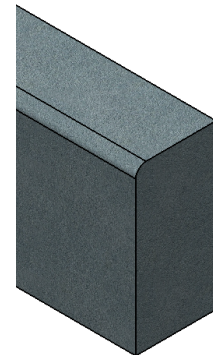
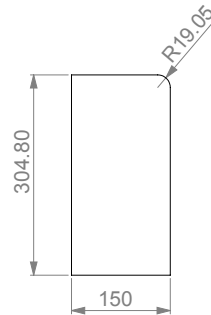
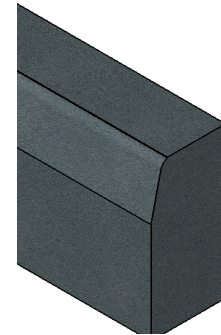
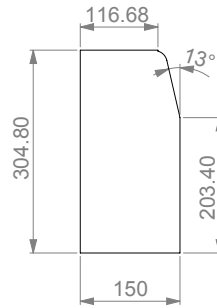
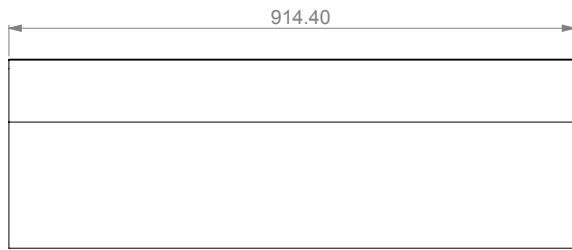
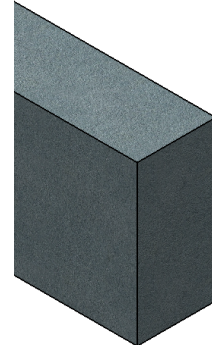
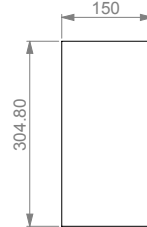
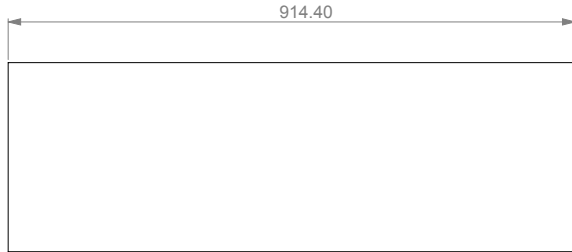
E-Mail keith.smith@aamalcement.com



TECHNICAL DATA

CONCRETE CURBSTONE - 305 mm-SRC

FLUSH - HALF BATTER - BULLNOSE 150/125mm



Dimensions mm	Flat Channel 150 mm	Flat Channel 125 mm	Flat Channel 100 mm	Half Batter 150 mm	Half Batter 125 mm	Half Bater 100 mm	Bull-nose 150 mm	Bull-nose 125 mm	Bull-nose 100 mm
Length	914.4	914.4	914.4	914.4	914.4	914.4	914.4	914.4	914.4
Height	304.8	304.8	304.8	304.8	304.8	304.8	304.8	304.8	304.8
Width	150	125	100	150	125	100	150	125	100
Weight Kg	114	95	76	105	88	70	112	93	76

Conformity

Aamal Curbstone are manufactured
Conforming to QCS 2014

Aamal Cement Industries Co.W.L.L

P.O Box: 40632, Doha - Qatar
Industrial Area, Street No 41

Tel: +974 44502010

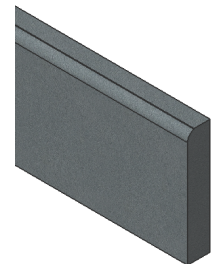
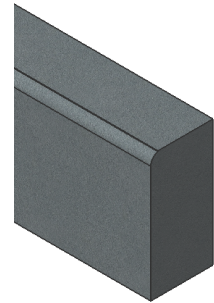
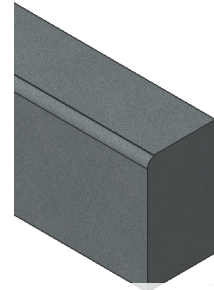
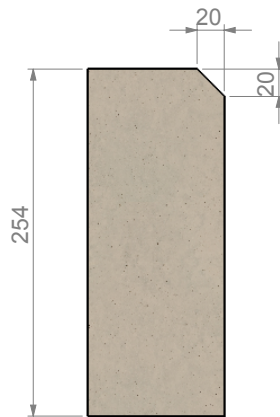
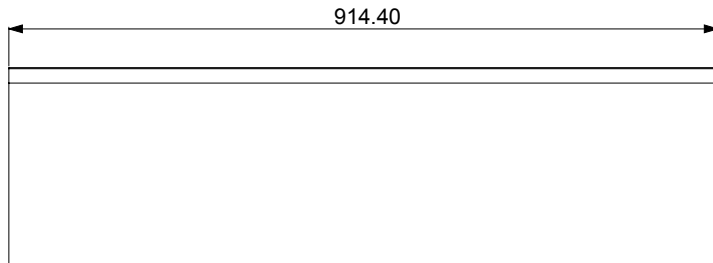
Fax: +974 44514778

E-Mail keith.smith@aamalcement.com

TECHNICAL DATA

CONCRETE CURBSTONE - 254 - SRC

CHAMFERED EDGE CHANNEL



Dimensions in mm	Chamfered Edge Channel CH	Chamfered Edge Channel CH	Chamfered Edge Channel CH	Chamfered Edge Channel CH	Chamfered Edge Channel CH
Length	914.4	914.4	914.4	914.4	914.4
Height	254	254	254	254	254
Width	150	125	100	75	50
Weight Kg	88	74	58	44	30

Conformity

Aamal Curbstone are manufactured
Conforming to QCS 2014

Aamal Cement Industries Co.W.L.L

P.O Box: 40632, Doha - Qatar

Industrial Area, Street No 41

Tel: +974 44502010

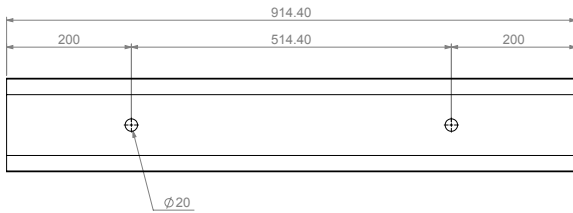
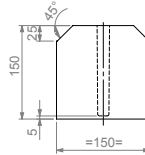
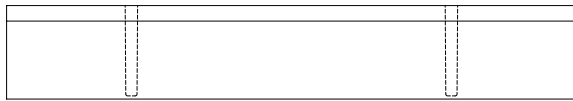
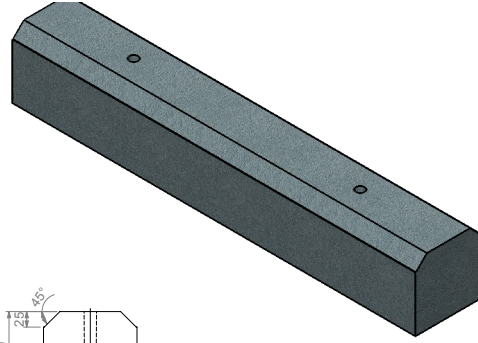
Fax: +974 44514778

E-Mail keith.smith@aamalcement.com



TECHNICAL DATA

CONCRETE CURBSTONE 150 mm SRC BUMP CURB (WHEEL STOP)



Dimensions In mm	Bump Curb (Wheel Stop) 150 mm
Length	914.4
Height	150
Width	150
Weight Kg	49

Conformity

Aamal Curbstone are manufactured
Conforming to QCS 2014

Aamal Cement Industries Co.W.L.L

P.O Box: 40632, Doha - Qatar
Industrial Area, Street No 41

Tel: +974 44502010

Fax: +974 44514778

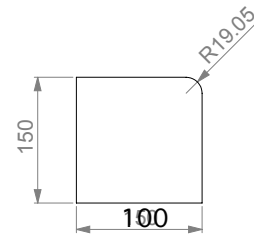
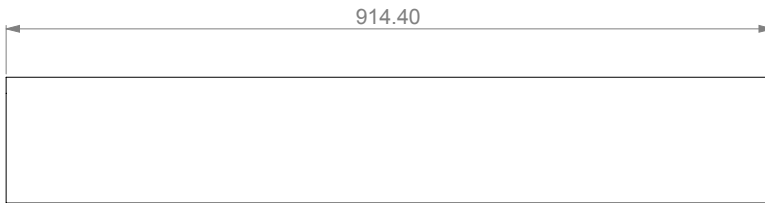
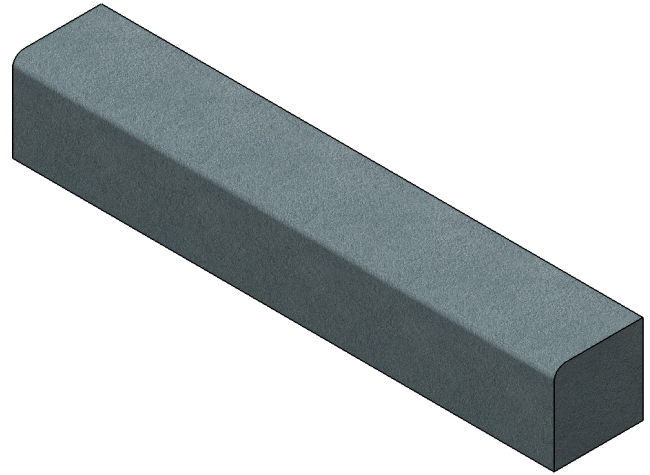
E-Mail keith.smith@aamalcement.com



TECHNICAL DATA

CONCRETE CURBSTONE - BULLNOSE

914 x 150x 150 /125 / 100 mm SRC



Dimensions In mm	Bullnose 150 mm	Bullnose 125 mm	Bullnose 100 mm
Weight Kg	51	44	33
Height	150	150	150
Width	150	125	100
Length	914.4	914.4	914.4

Conformity

Aamal Curbstone are manufactured
Conforming to QCS 2014

Aamal Cement Industries Co.W.L.L

P.O Box: 40632, Doha - Qatar
Industrial Area, Street No 41

Tel: +974 44502010

Fax: +974 44514778

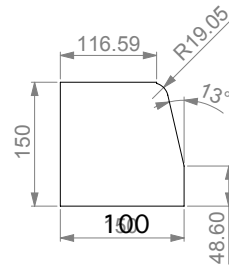
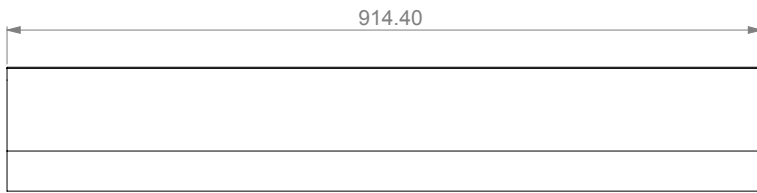
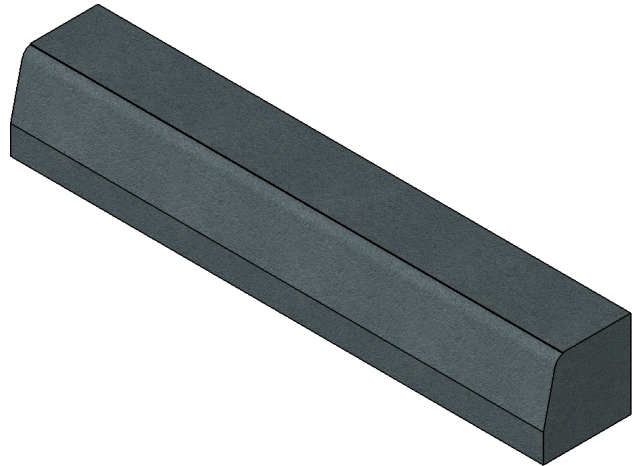
E-Mail keith.smith@aamalcement.com



TECHNICAL DATA

CONCRETE CURBSTONE - Half Batter

914 x150 x150 / 125 / 100mm SRC



Dimensions In mm	Half Batter 150 mm	Half Batter 125 mm	Half Batter 100 mm
Length	914.4	914.4	914.4
Height	150	150	150
Width	150	125	100
Weight	48	43	35

Conformity

Aamal Curbstone are manufactured
Conforming to QCS 2014

Aamal Cement Industries Co.W.L.L

P.O Box: 40632, Doha - Qatar
Industrial Area, Street No 41

Tel: +974 44502010

Fax: +974 44514778

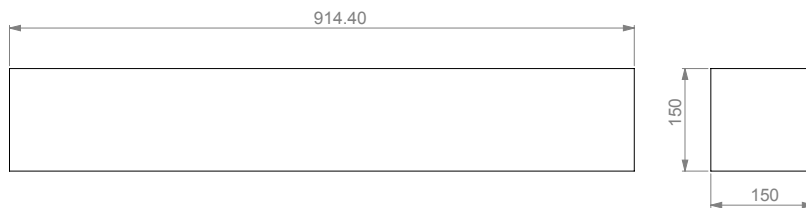
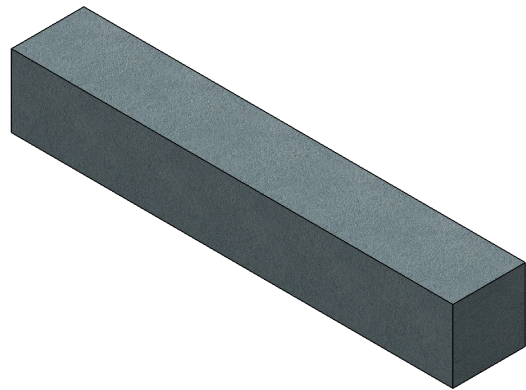
E-Mail keith.smith@aamalcement.com



TECHNICAL DATA

CONCRETE CURBSTONE - Flat Channel

914 x150 x150 / 125 / 100mm SRC



Dimensions	Flat channel 150 mm	Flat Channel 125 mm	
Length	914.4	914.4	
Height	150	150	
Width	150	125	
Weight	52	48	

Conformity

Aamal Curbstone are manufactured
Conforming to QCS 2014

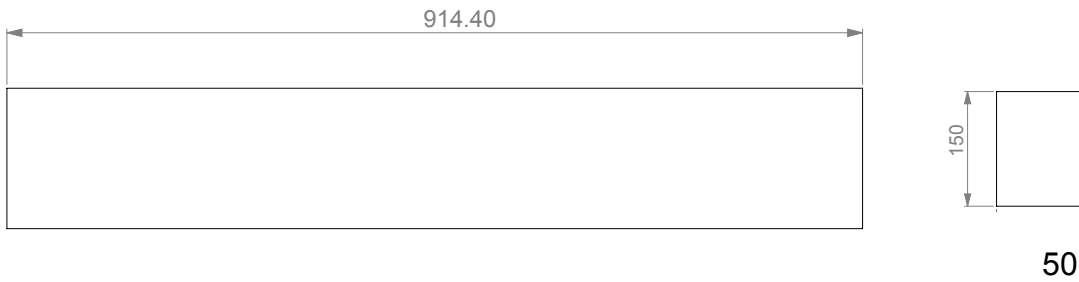
Aamal Cement Industries Co.W.L.L

P.O Box: 40632, Doha - Qatar
Industrial Area, Street No 41

Tel: +974 44502010

Fax: +974 44514778

E-Mail keith.smith@aamalcement.com



Dimensions In mm	Flat Channel
Length	914.4
Height	150
Width	50
Weight kg	16.5

Conformity

Aamal Curbstone are manufactured
Conforming to QCS 2014

Aamal Cement Industries Co.W.L.L

P.O Box: 40632, Doha - Qatar
Industrial Area, Street No 41

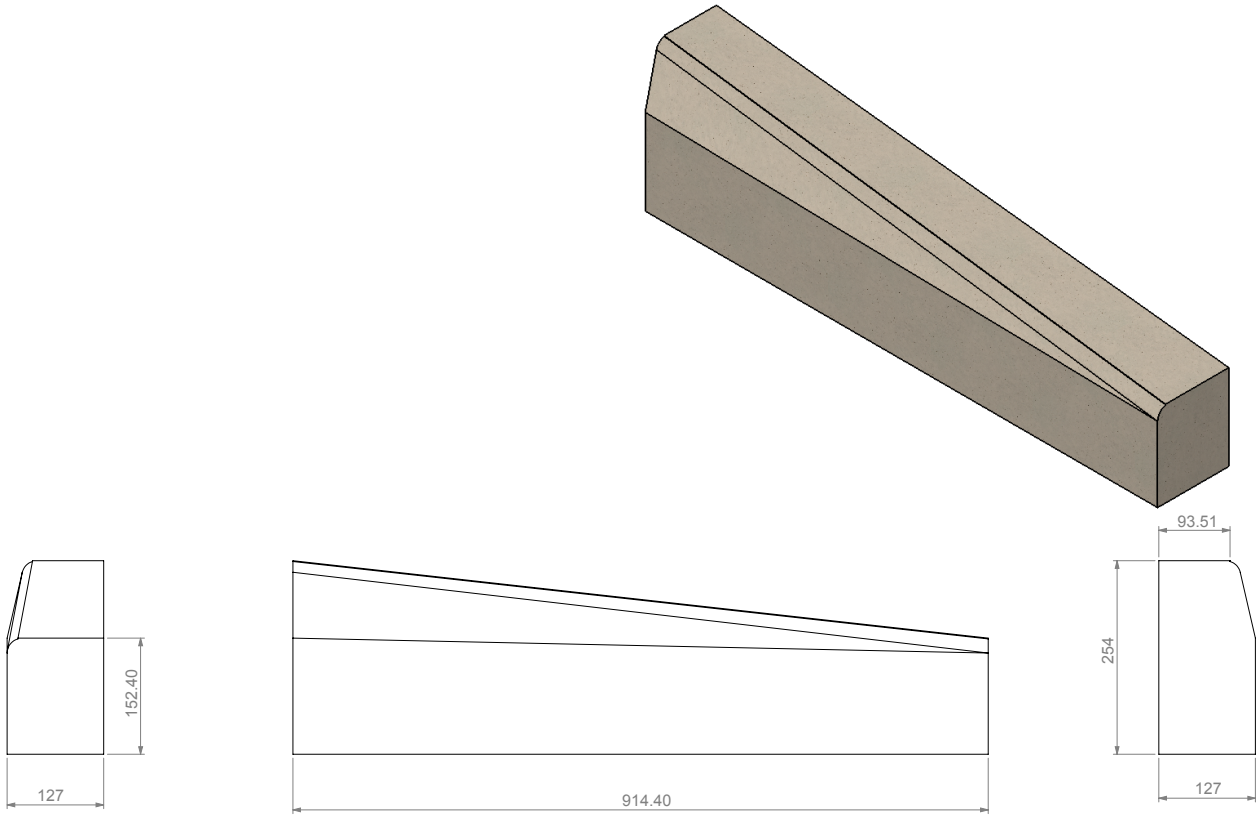
Tel: +974 44502010

Fax: +974 44514778

E-Mail keith.smith@aamalcement.com

TECHNICAL DATA

CONCRETE CURBSTONE - Flat Channel 150x 50 mm SRC



Dimensions In mm	Dropper Curb RightHand 127 mm
Length	914
Height	254/ 152.40
Width	127
Weight kg	61

Conformity

Aamal Curbstone are manufactured
Conforming to QCS 2014

Aamal Cement Industries Co.W.L.L

P.O Box: 40632, Doha - Qatar
Industrial Area, Street No 41

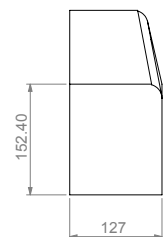
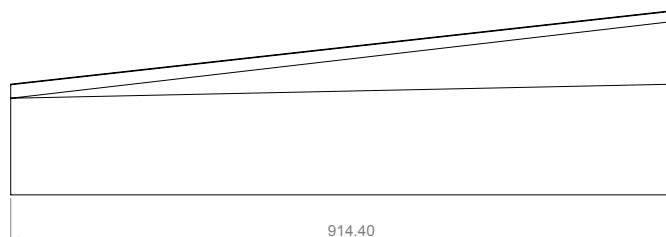
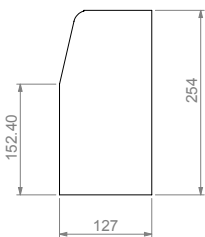
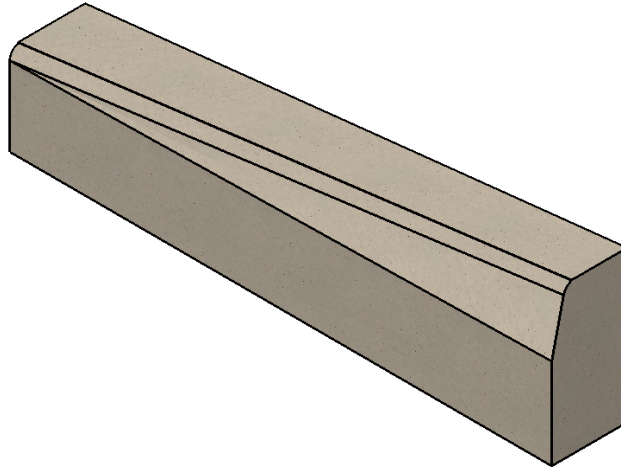
Tel: +974 44502010

Fax: +974 44514778

E-Mail keith.smith@aamalcement.com



TECHNICAL DATA Concrete kerbstone - Dropper Curb 914 X 254/125 / 152mm



Dimensions In mm	Dropper Curb Left Hand 127 mm
Length	914.4
Height	254 / 152.40
Width	127
Weight kg	61

Conformity

Aamal Curbstone are manufactured
Conforming to QCS 2014

Aamal Cement Industries Co.W.L.L

P.O Box: 40632, Doha - Qatar
Industrial Area, Street No 41

Tel: +974 44502010

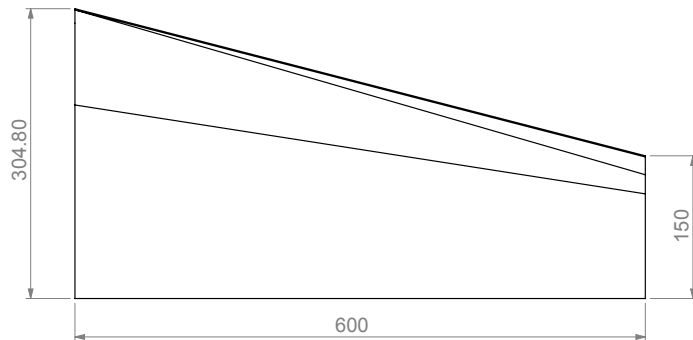
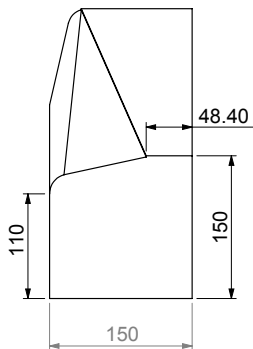
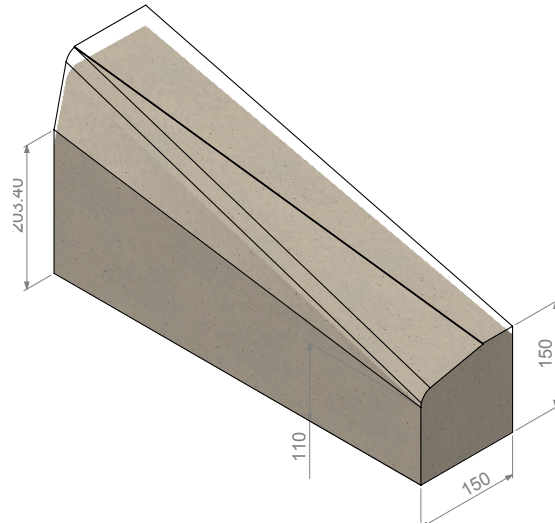
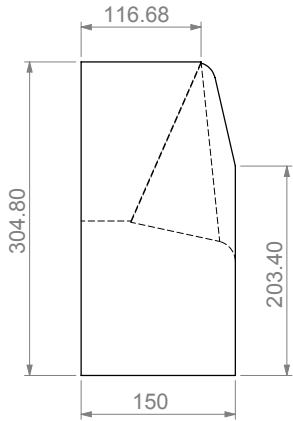
Fax: +974 44514778

E-Mail keith.smith@aamalcement.com



TECHNICAL DATA Concrete kerbstone - Dropper

Curb 600 X 305/150 mm



Dimensions In mm	Transition Curb Right Hand HB/BN Drop
Length	600
Height	305/150
Width	150
Weight kg	48

Conformity

Aamal Curbstone are manufactured
Conforming to QCS 2014

Aamal Cement Industries Co.W.L.L

P.O Box: 40632, Doha - Qatar
Industrial Area, Street No 41

Tel: +974 44502010

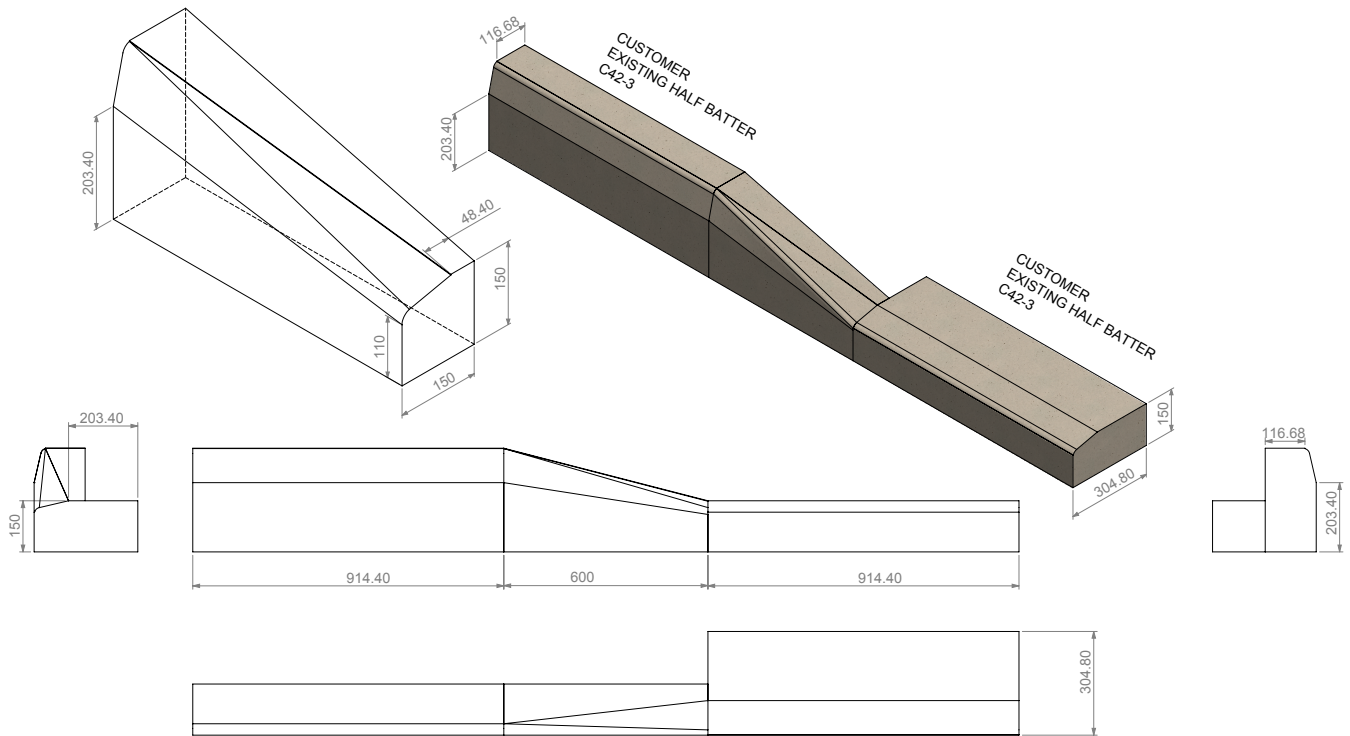
Fax: +974 44514778

E-Mail keith.smith@aamalcement.com



Concrete kerbstone - Dropper Curb

600 X 305 /150 x 125 mm RH



Conformity

Aamal Curbstone are manufactured
Conforming to QCS 2014

Aamal Cement Industries Co.W.L.L

P.O Box: 40632, Doha - Qatar
Industrial Area, Street No 41

Tel: +974 44502010

Fax: +974 44514778

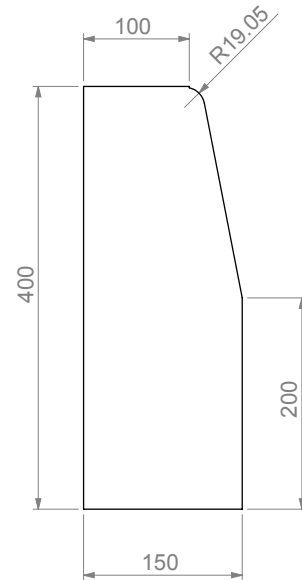
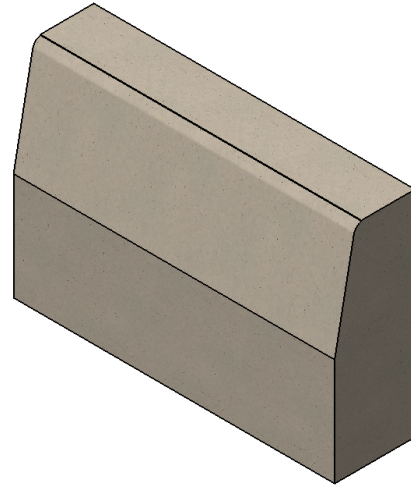
E-Mail keith.smith@aamalcement.com



TECHNICAL DATA

Concrete Curbstone - UP-Stand Curb

600 x 400 x 150 mm



Dimensions In mm	Up Stand Curb HB 600 x 400 mm
Length	600
Height	400
Width	150 / 125
Weight kg	89 / 74

Conformity

Aamal Curbstone are manufactured
Conforming to QCS 2014

Aamal Cement Industries Co.W.L.L

P.O Box: 40632, Doha - Qatar
Industrial Area, Street No 41

Tel: +974 44502010

Fax: +974 44514778

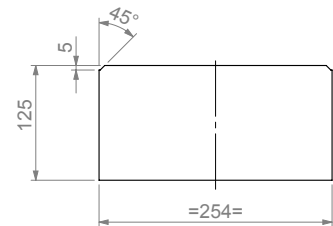
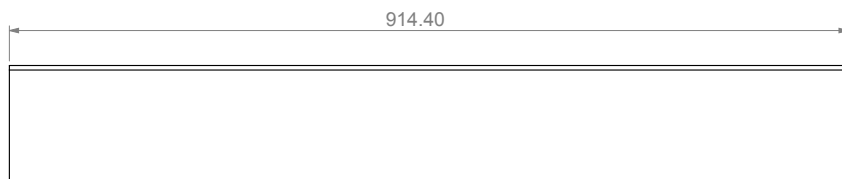
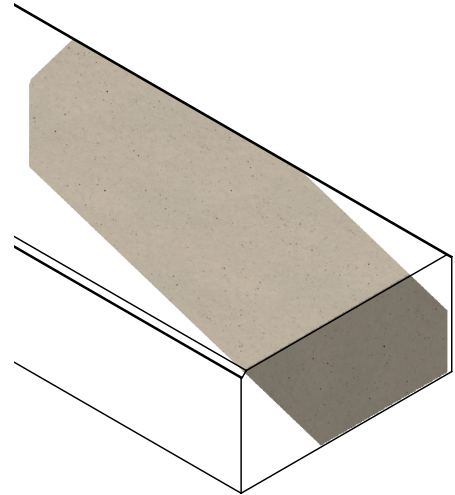
E-Mail keith.smith@aamalcement.com



TECHNICAL DATA

Concrete Curbstone - Double chamfer

914 x 254 x 150 / 125 / 100 / 75 / 50 mm



Dimensions In mm	Concrete Double Chamfer 914 x 254 mm
Length	914
Height	150 / 125 / 100 / 75 / 50
Width	254
Weight kg	52 / 48 / 43 / 39 / 34

Conformity

Aamal Curbstone are manufactured
Conforming to QCS 2014

Aamal Cement Industries Co.W.L.L

P.O Box: 40632, Doha - Qatar
Industrial Area, Street No 41

Tel: +974 44502010

Fax: +974 44514778

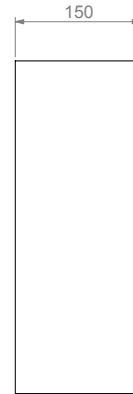
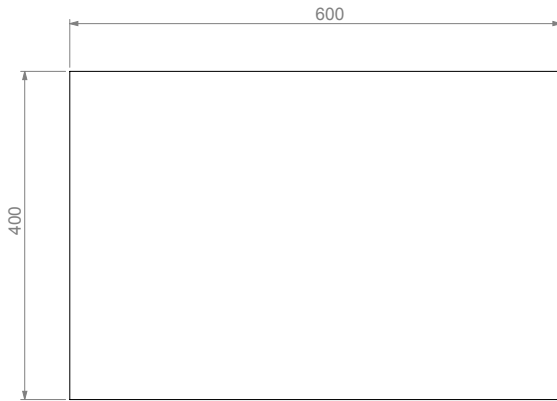
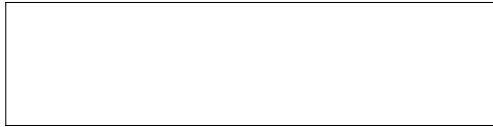
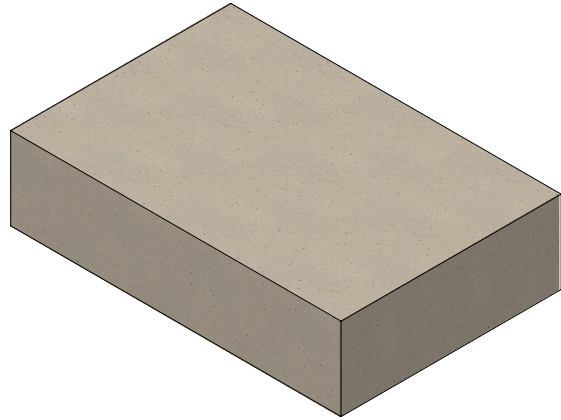
E-Mail keith.smith@aalacement.com



TECHNICAL DATA

Concrete Curbstone - Flush

600 x 400 x 150 mm



Dimensions In mm	Curbstone Flush 600 x 400 mm
Length	600
Height	400
Width	150
Weight kg	92

Conformity

Aamal Curbstone are manufactured
Conforming to QCS 2014

Aamal Cement Industries Co.W.L.L

P.O Box: 40632, Doha - Qatar
Industrial Area, Street No 41

Tel: +974 44502010

Fax: +974 44514778

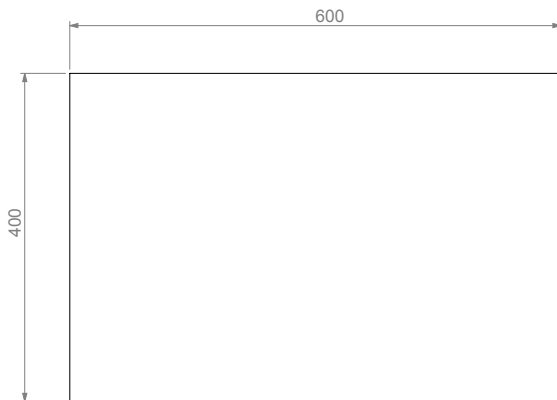
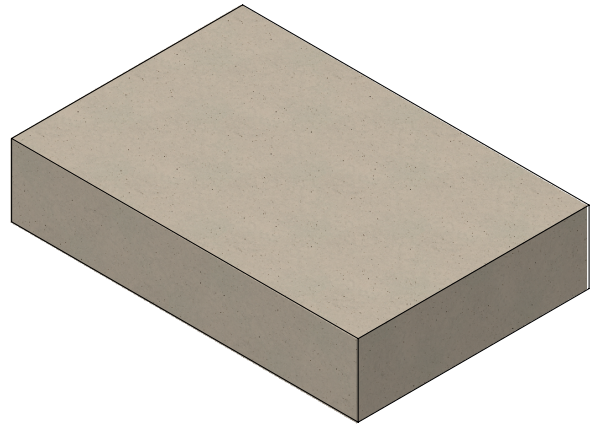
E-Mail keith.smith@aamalcement.com



TECHNICAL DATA

Concrete Curbstone - Flush

600 x 400 x 125 mm



Dimensions In mm	Curbstone Flush 600 x 400 mm
Length	600
Height	400
Width	125
Weight kg	77

Conformity

Aamal Curbstone are manufactured
Conforming to QCS 2014

Aamal Cement Industries Co.W.L.L

P.O Box: 40632, Doha - Qatar
Industrial Area, Street No 41

Tel: +974 44502010

Fax: +974 44514778

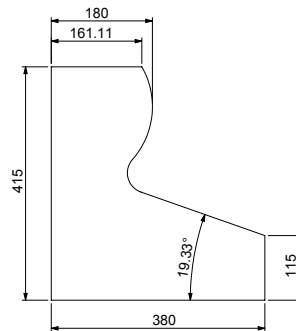
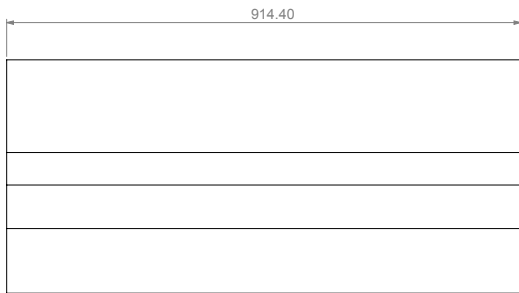
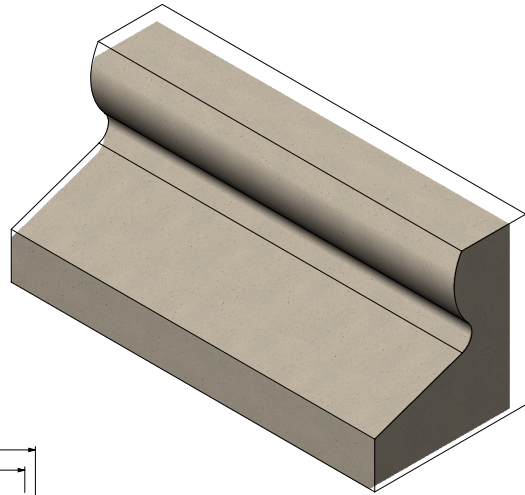
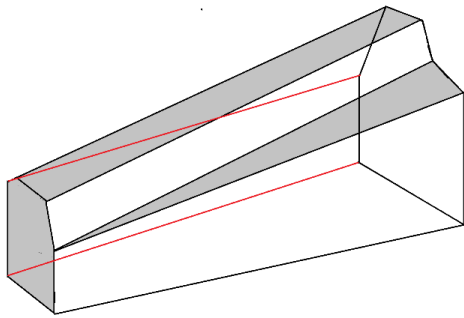
E-Mail keith.smith@aamalcement.com



TECHNICAL DATA

Traffic containment - Trief Curb

914 x 415 x 380 mm



Dimensions In mm	Concrete Containment Curb - Trief 914 x 415 mm
Length	914
Height	415
Width	380
Weight kg	260

Conformity

Aamal Curbstone are manufactured
Conforming to QCS 2014

Aamal Cement Industries Co.W.L.L

P.O Box: 40632, Doha - Qatar
Industrial Area, Street No 41

Tel: +974 44502010

Fax: +974 44514778

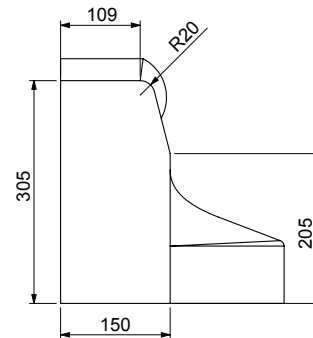
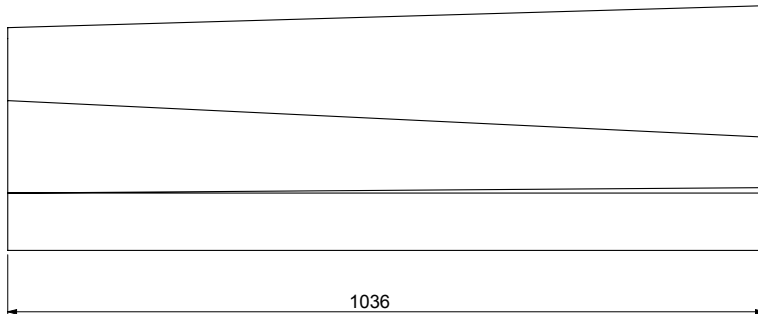
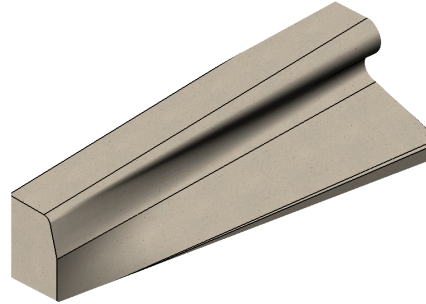
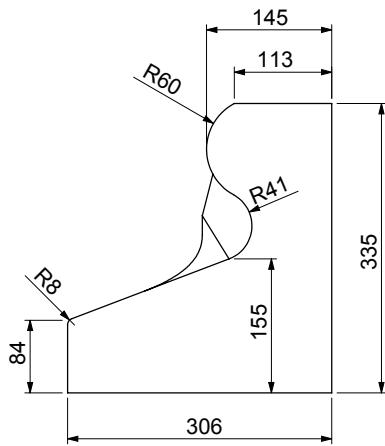
E-Mail keith.smith@aamalcement.com



TECHNICAL DATA

Traffic containment - Transition Trief

Curb - Left Hand 1



Dimensions In mm	Concrete Containment Curb - TRLH1 914 x 150 / 306 mm
Length	914
Height	305/335
Width	150/306
Weight kg	158

Conformity

Aamal Curbstone are manufactured
Conforming to QCS 2014

Aamal Cement Industries Co.W.L.L

P.O Box: 40632, Doha - Qatar
Industrial Area, Street No 41

Tel: +974 44502010

Fax: +974 44514778

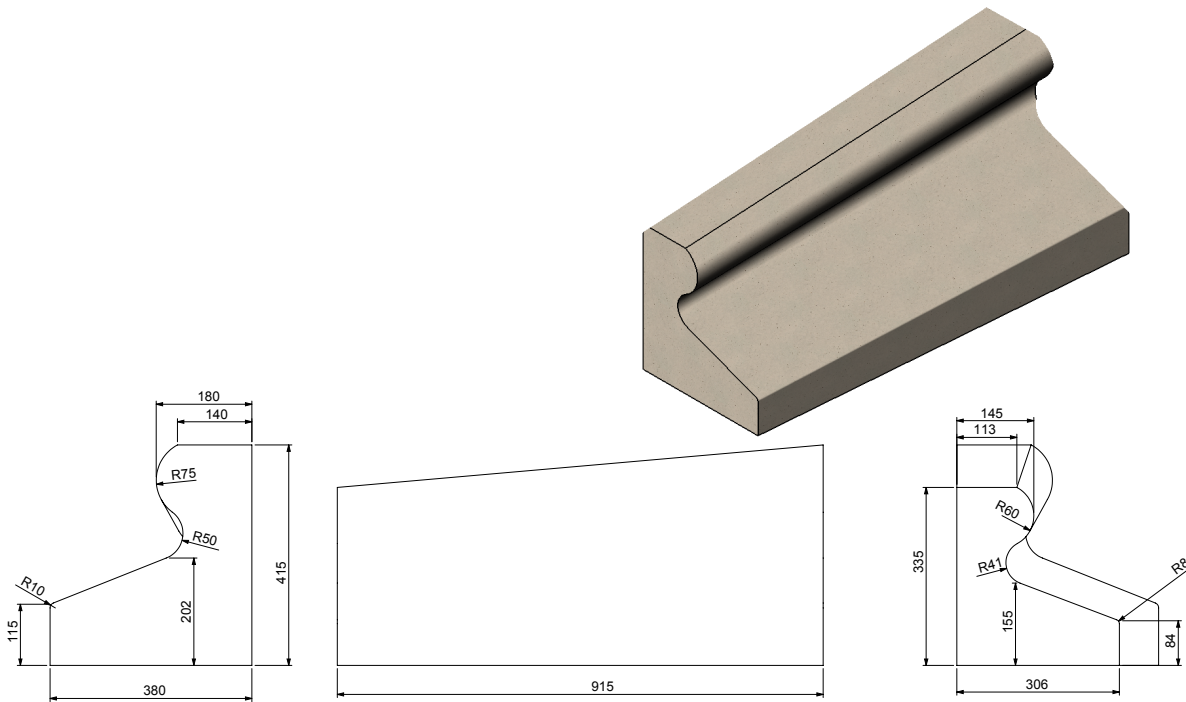
E-Mail keith.smith@aamalcement.com



TECHNICAL DATA

Traffic containment - Transition Trief

Curb - Left Hand 2



Dimensions In mm	Concrete Containment Curb - TRLH 2 914 x 306/380 mm
Length	914
Height	335/415
Width	306/380
Weight kg	204

Conformity

Aamal Curbstone are manufactured
Conforming to QCS 2014

Aamal Cement Industries Co.W.L.L

P.O Box: 40632, Doha - Qatar
Industrial Area, Street No 41

Tel: +974 44502010

Fax: +974 44514778

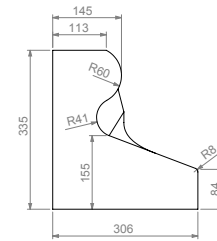
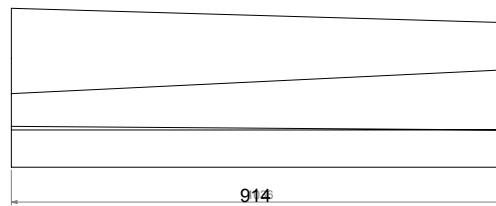
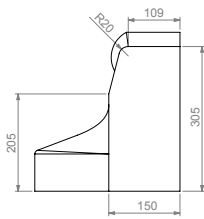
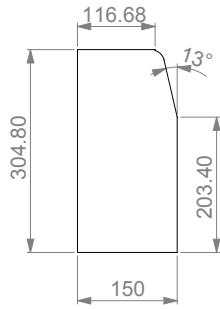
E-Mail keith.smith@aamalcement.com



TECHNICAL DATA

Traffic containment - Transition Trief

Curb - Right Hand 1



Dimensions In mm	Concrete Containment Curb - TRRH1 914 x 150/306 mm
Length	914
Height	305/335
Width	150/306
Weight kg	158

Conformity

Aamal Curbstone are manufactured
Conforming to QCS 2014

Aamal Cement Industries Co.W.L.L

P.O Box: 40632, Doha - Qatar
Industrial Area, Street No 41

Tel: +974 44502010

Fax: +974 44514778

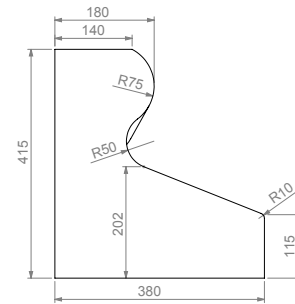
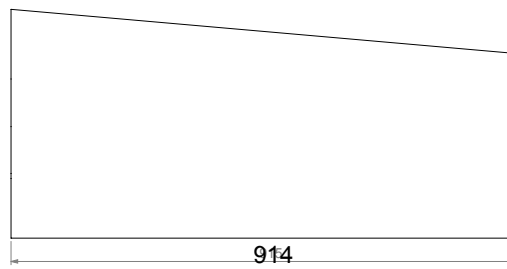
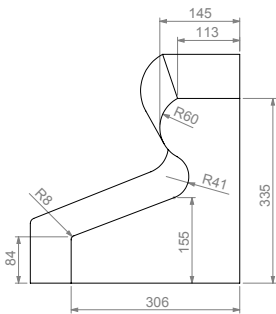
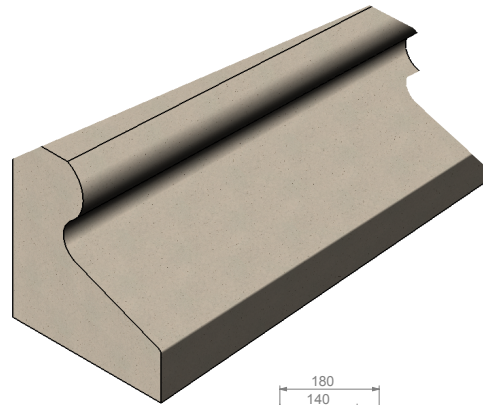
E-Mail keith.smith@aamalcement.com



TECHNICAL DATA

Traffic containment - Transition Trief

Curb - Right Hand 2



Dimensions In mm	Concrete Containment Curb - TRRH 2 914 x 306/380 mm
Length	914
Height	335/415
Width	306/380
Weight kg	204

Conformity

Aamal Curbstone are manufactured
Conforming to QCS 2014

Aamal Cement Industries Co.W.L.L

P.O Box: 40632, Doha - Qatar
Industrial Area, Street No 41

Tel: +974 44502010

Fax: +974 44514778

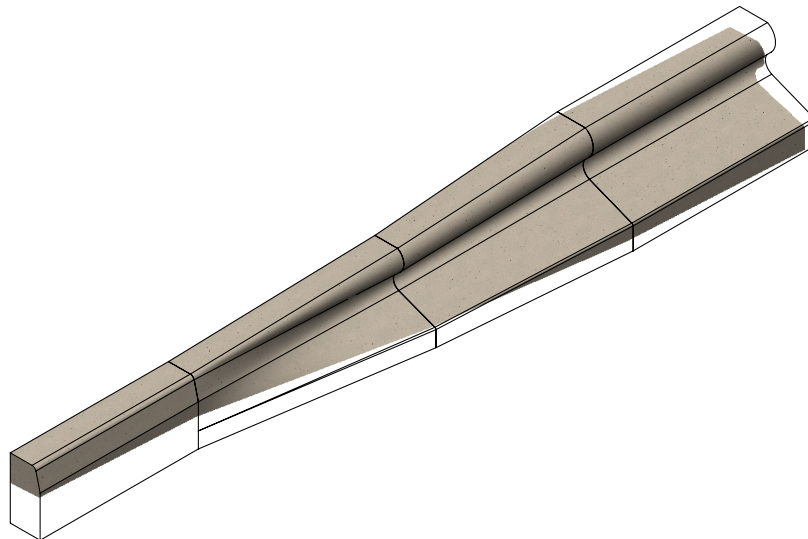
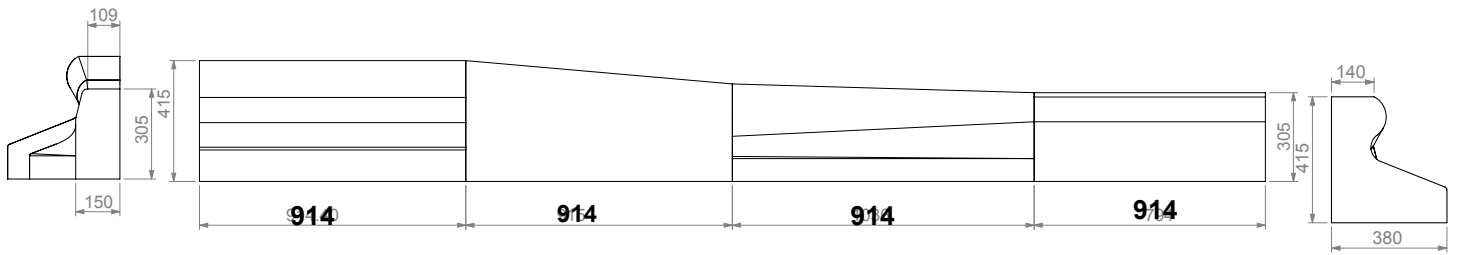
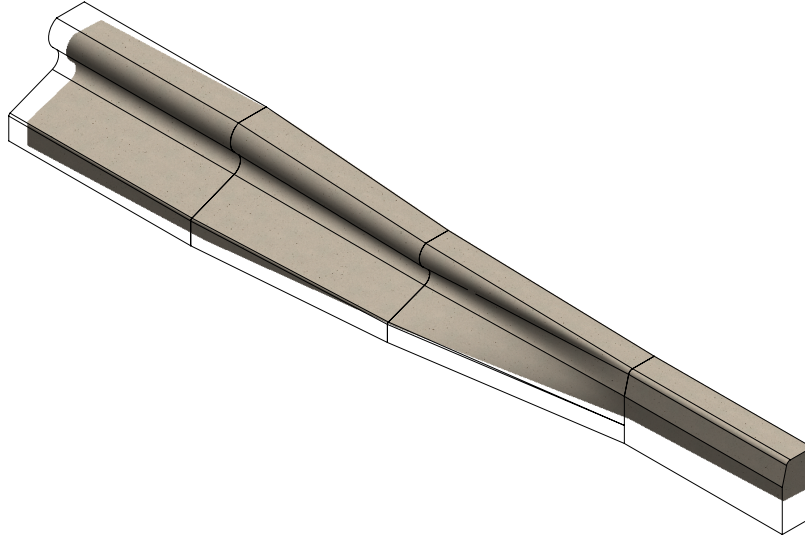
E-Mail keith.smith@aamalcement.com



TECHNICAL DATA

Traffic containment

Transition Trief system RH - LH



Conformity

Aamal Curbstone are manufactured
Conforming to QCS 2014

Aamal Ce-
ment Industries Co.W.L.L

P.O Box: 40632, Doha - Qatar
Industrial Area, Street No 41

Tel: +974 44502010

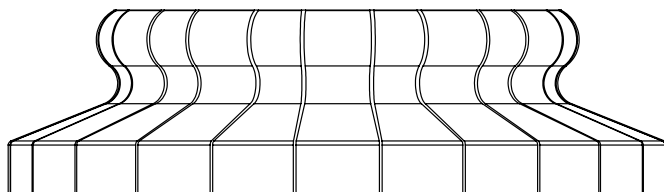
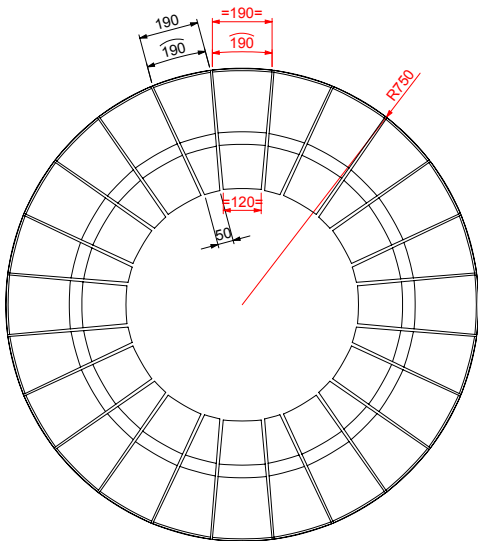
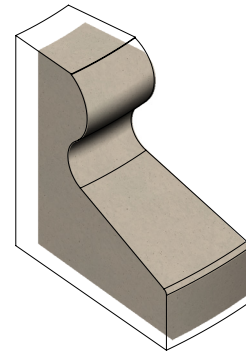
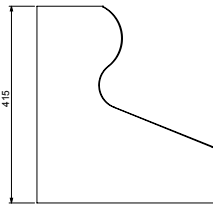
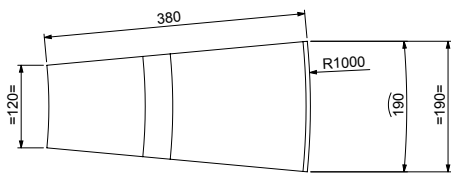
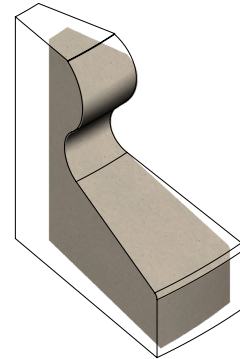
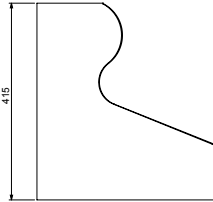
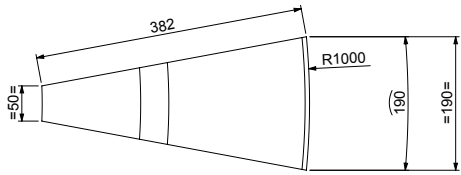
Fax: +974 44514778



TECHNICAL DATA Traffic containment

Pre - Cast Trief Curb Radius Segments

50 / 120 x 380 x 415 mm 0.75m R



Length mm	Width mm	Height mm	Face Length mm	Radius m
50 / 120	380	415	190	0.75

Conformity

Aamal Curbstone are manufactured conforming to QCS 2014

Aamal Cement Industries Co.W.L.L

P.O Box: 40632, Doha - Qatar
Industrial Area, Street No 41

Tel: +974 44502010

Fax: +974 44514778

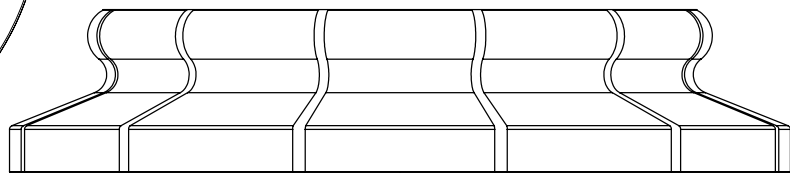
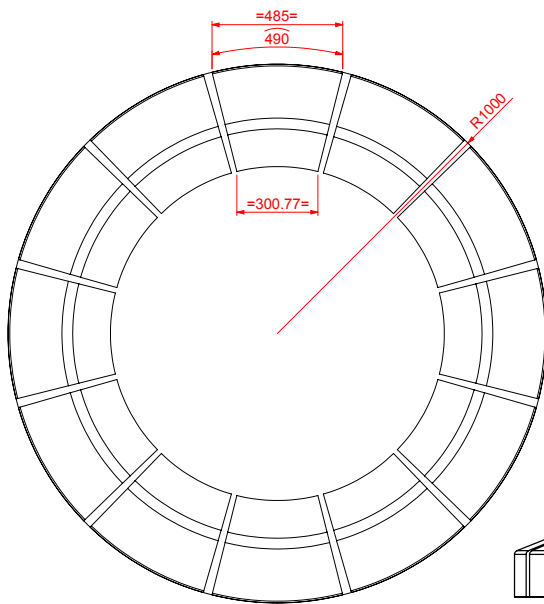
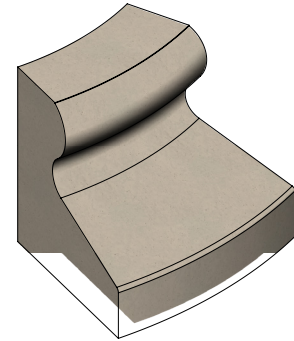
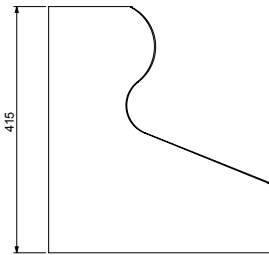
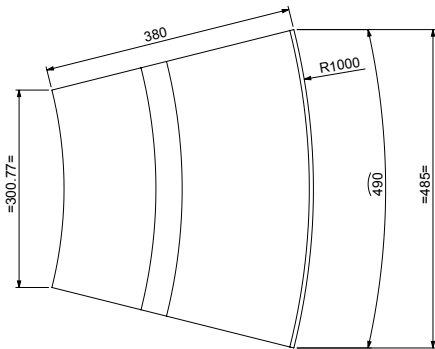
E-Mail keith.smith@aamalcement.com



TECHNICAL DATA Traffic containment

Pre - Cast Trief Curb Radius Segments

300 / 485 x 380 x 415 mm 1.0 m R



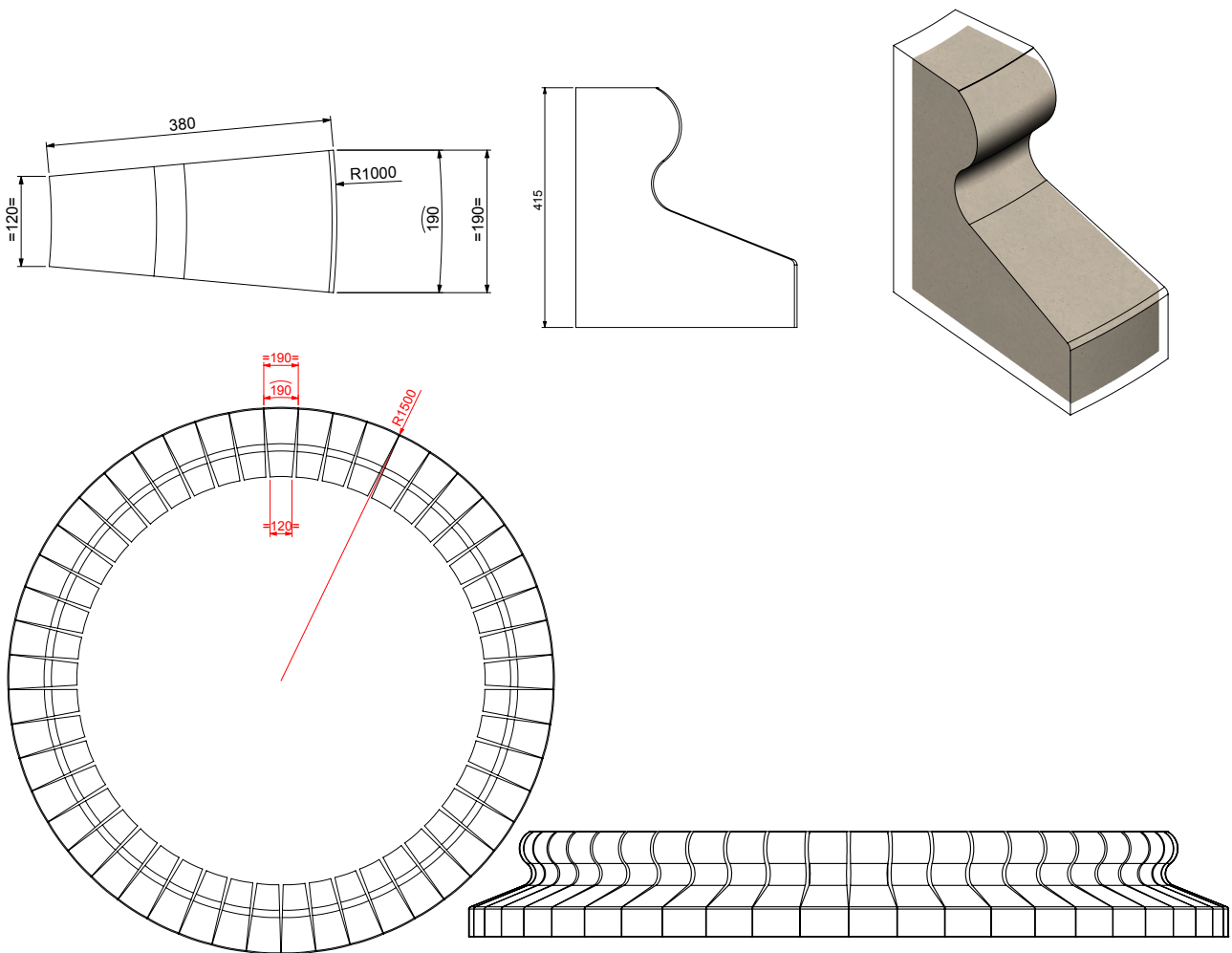
Length mm	Width mm	Height mm	Face Length mm	Radius m
300 / 485	380	415	490	1.0



TECHNICAL DATA Traffic containment

Pre - Cast Trief Curb Radius Segments

120 / 190 x 380 x 415 mm 1.5 m R



Length mm	Width mm	Height mm	Face Length mm	Radius m
120 / 190	380	415	190	1.5

Conformity

Aamal Curbstone are manufactured
Conforming to QCS 2014

Aamal Cement Industries Co.W.L.L

P.O Box: 40632, Doha - Qatar

Industrial Area, Street No 41

Tel: +974 44502010

Fax: +974 44514778

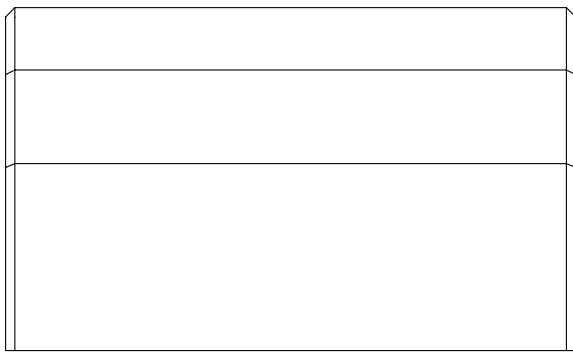
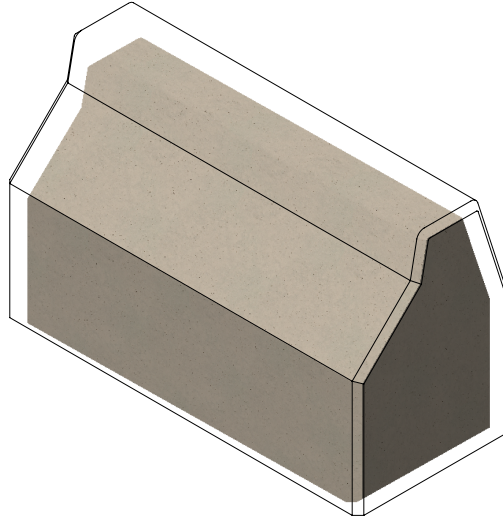
E-Mail keith.smith@aamalcement.com



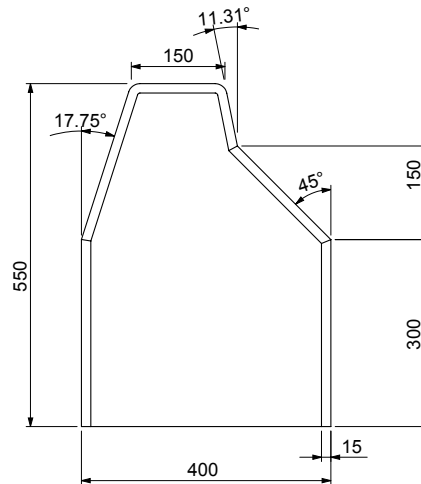
TECHNICAL DATA

Traffic containment -

Vehicle Barrier Curb 914 x 550 x 400 mm



914



Dimensions In mm	Concrete Barrier Curb - VBU 1 914 x 550 x 400 mm
Length	914
Height	550
Width	400
Weight kg	420

Conformity

Aamal Curbstone are manufactured
Conforming to QCS 2014

[Aamal Cement Industries Co.W.L.L](http://www.aamalcement.com)

P.O Box: 40632, Doha - Qatar
Industrial Area, Street No 41

Tel: +974 44502010

Fax: +974 44514778

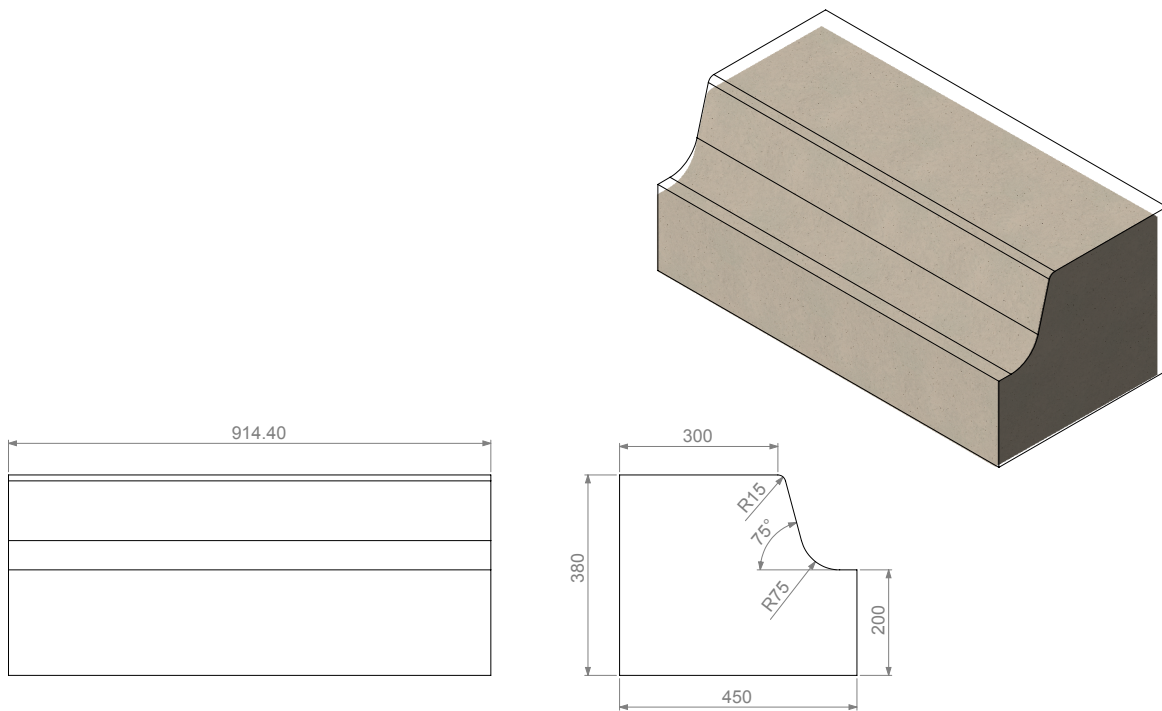
E-Mail keith.smith@amalcement.com



TECHNICAL DATA

Traffic containment -

Bus Stop Curb 914 x 450 x 380 mm



Dimensions In mm	Concrete Bus Stop Curb - BSC 1 914 x 450 X 380 mm
Length	914
Height	380
Width	450
Weight kg	332

Conformity

Aamal Curbstone are manufactured
Conforming to QCS 2014

Aamal Cement Industries Co.W.L.L

P.O Box: 40632, Doha - Qatar
Industrial Area, Street No 41

Tel: +974 44502010

Fax: +974 44514778

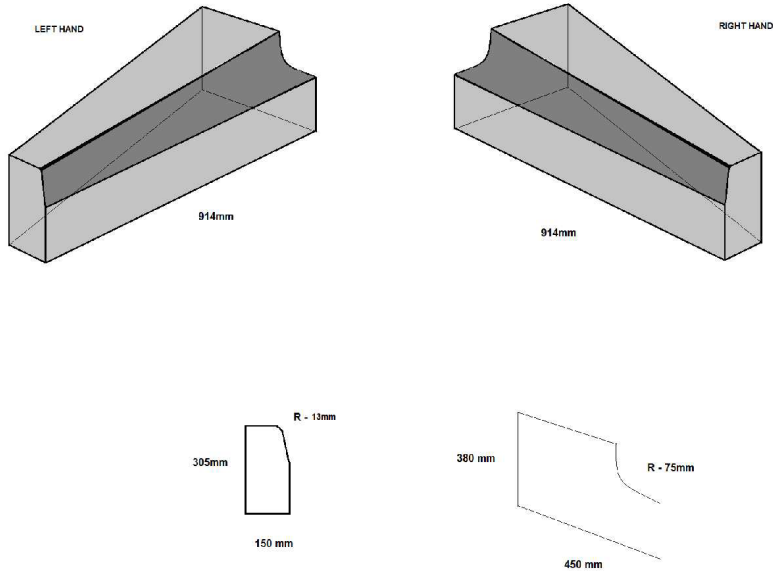
E-Mail keith.smith@aamalcement.com



TECHNICAL DATA Traffic containment -

Left / Right Bus Stop Transition Curb

914x305/380x450/150mm mm



Dimensions In mm	Concrete Bus Stop Curb - BSC 1 914 x 305/380- 150 / 450
Length	914
Height	380
Width	150 / 450
Weight kg	240

Conformity

Aamal Curbstone are manufactured
Conforming to QCS 2014

Aamal Cement Industries Co.W.L.L

P.O Box: 40632, Doha - Qatar
Industrial Area, Street No 41

Tel: +974 44502010

Fax: +974 44514778

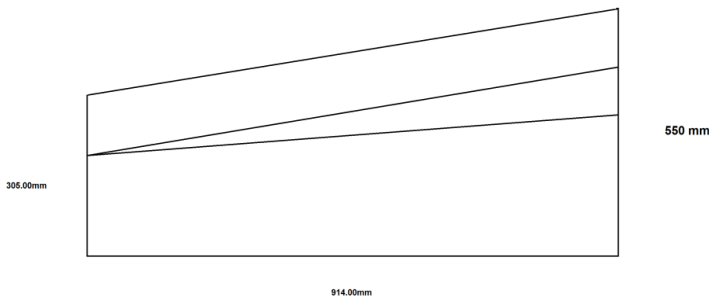
E-Mail keith.smith@aamalcement.com



TECHNICAL DATA

Traffic containment -

Vehicle Barrier Curb Transition 914x550/305



Dimensions In mm	Concrete Transition Curb - VBU K4-K1 914 x 550 x 400 mm
Length	914
Height	550 / 305
Width	400 / 150
Weight kg	260
Steel Reinforcement	12mm Rebar 70Kg/m3

Conformity

Aamal Curbstone are manufactured
Conforming to QCS 2014

Aamal Cement Industries Co.W.L.L

P.O Box: 40632, Doha - Qatar
Industrial Area, Street No 41

Tel: +974 44502010

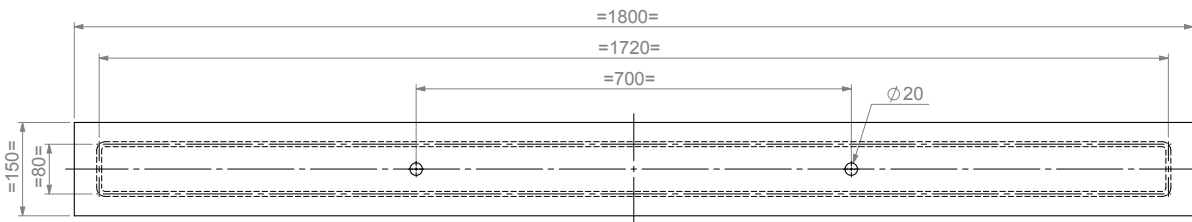
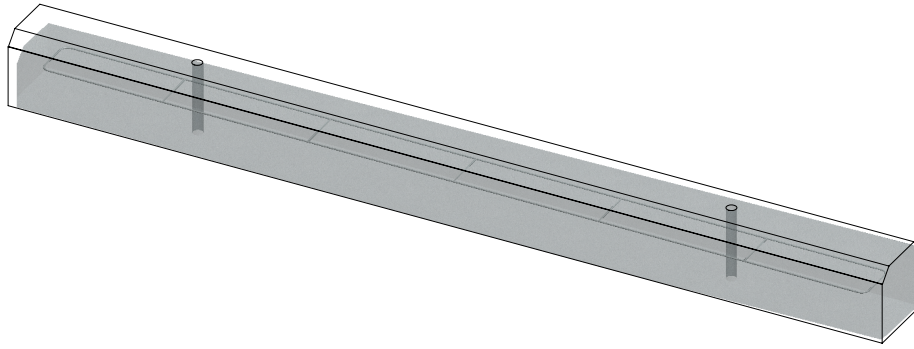
Fax: +974 44514778

E-Mail keith.smith@aamalcement.com



TECHNICAL DATA Concrete Precast

Wheel Stopper 1800x150x150/150mm mm



Dimensions In mm	Precast Concrete Wheel Stopper 1800 x 150 x 150 mm
	Distance Between Centres
Length	1800
Height	150
Width	150
Weight Kg	90
Reinforcement Rebar	12.00mm
Spacer	50.00mm

Aamal Cement Industries Co.W.L.L

P.O Box: 40632, Doha - Qatar

Industrial Area, Street No 41

Tel: +974 44502010

Fax: +974 44514778

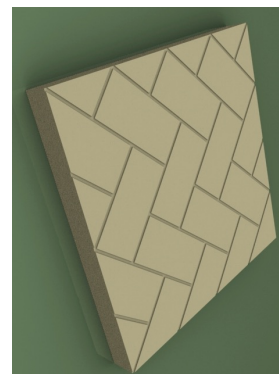
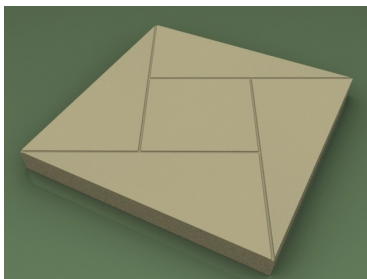
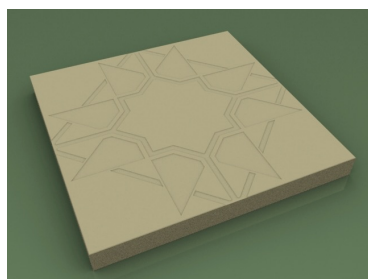
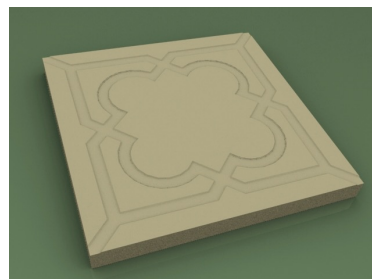
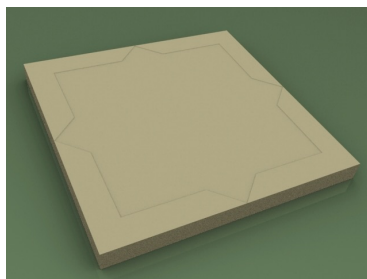
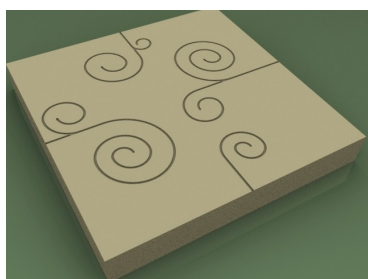
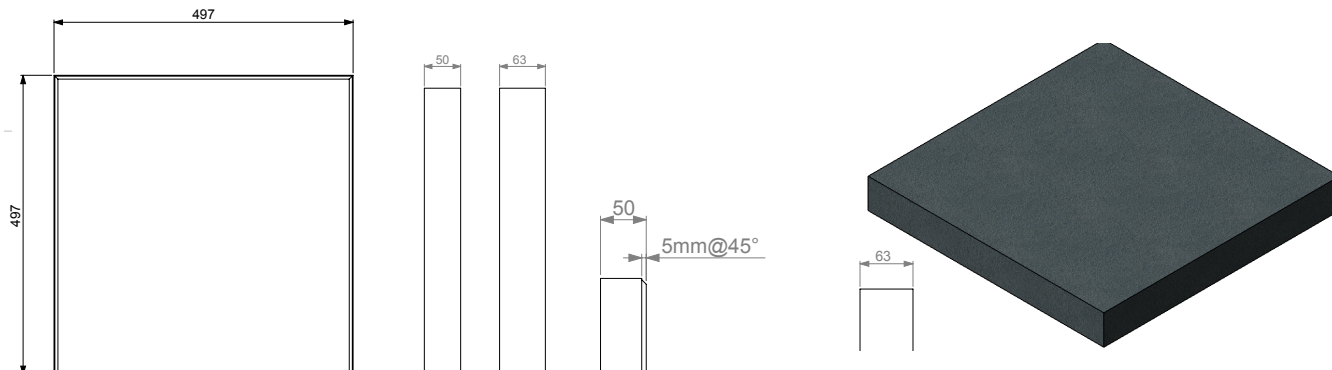
E-Mail keith.smith@aamalcement.com



TECHNICAL DATA

CONCRETE Decorative SLABS SRC / OPC

Please Note Bespoke products can be created to suit your own specific design 50 60



Dimensions In mm	Concrete Slab 400	Concrete Slab 500	Texture / Type
Length	400	500	Smooth / Texture / Chamfer Pattern
Width	400	500	
Height	40 / 50 / 60	40 / 50 / 60	Colored
Weight Kg	15 / 17 / 20	19 / 30 / 37	

Conformity

Aamal paving slabs are manufactured
Conforming to QCS 2014

Aamal Cement Industries Co.W.L.L

P.O Box: 40632, Doha - Qatar
Industrial Area, Street No 41

Tel: +974 44502010

Fax: +974 44514778

E-Mail keith.smith@aamalcement.com



TECHNICAL DATA

Slab Application - ROOF



Conformity

Aamal Decorative products are manufactured
Conforming to QCS 2014

Aamal Cement Industries Co.W.L.L

P.O Box: 40632, Doha - Qatar

Industrial Area, Street No 41

Tel: +974 44502010

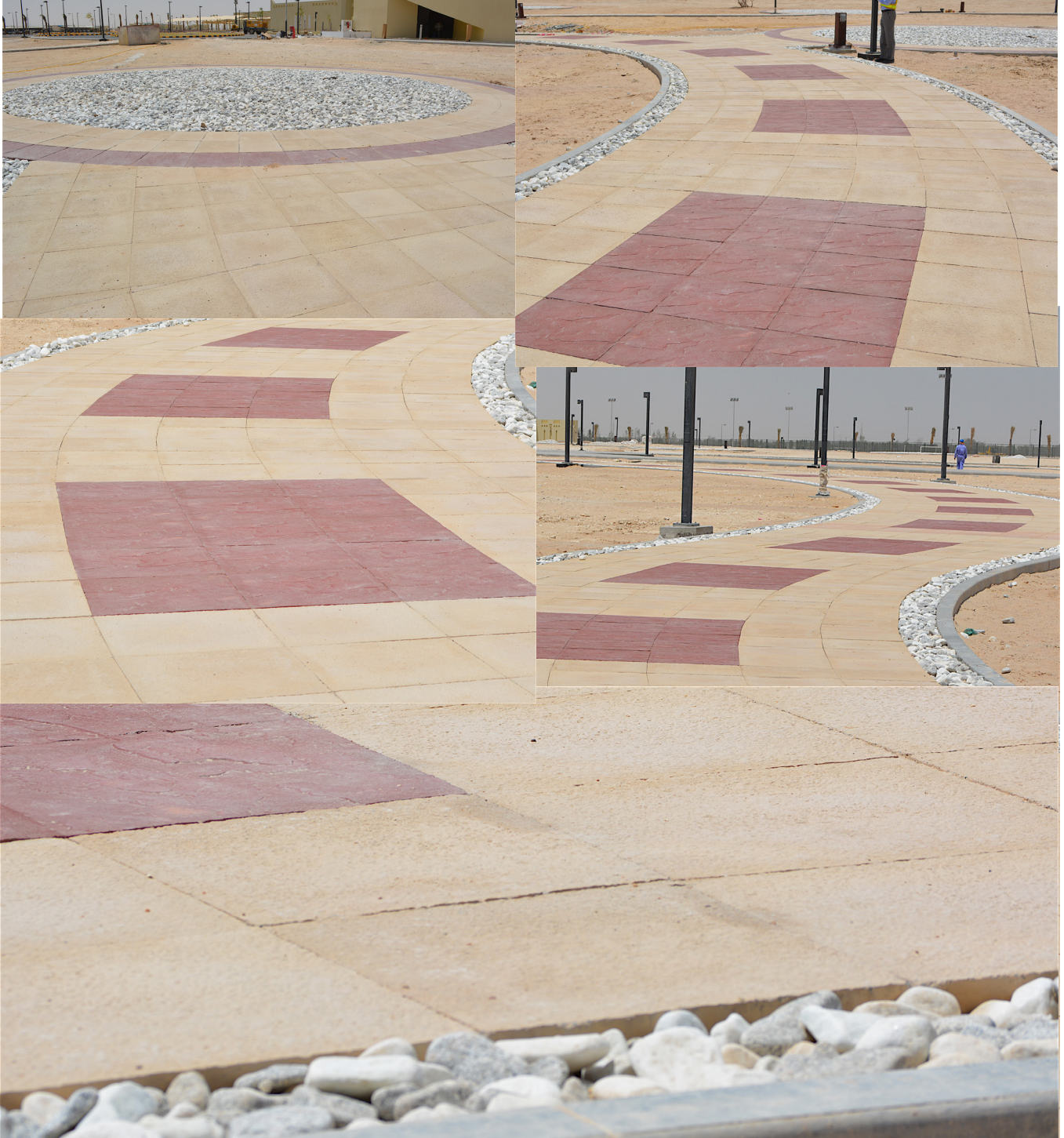
Fax: +974 44514778

E-Mail keith.smith@aamalcement.com



TECHNICAL DATA

Slab Application - Decorative



Conformity

Aamal Decorative products are manufactured
Conforming to QCS 2014

Aamal Cement Industries Co.W.L.L

P.O Box: 40632, Doha - Qatar

Industrial Area, Street No 41

Tel: +974 44502010

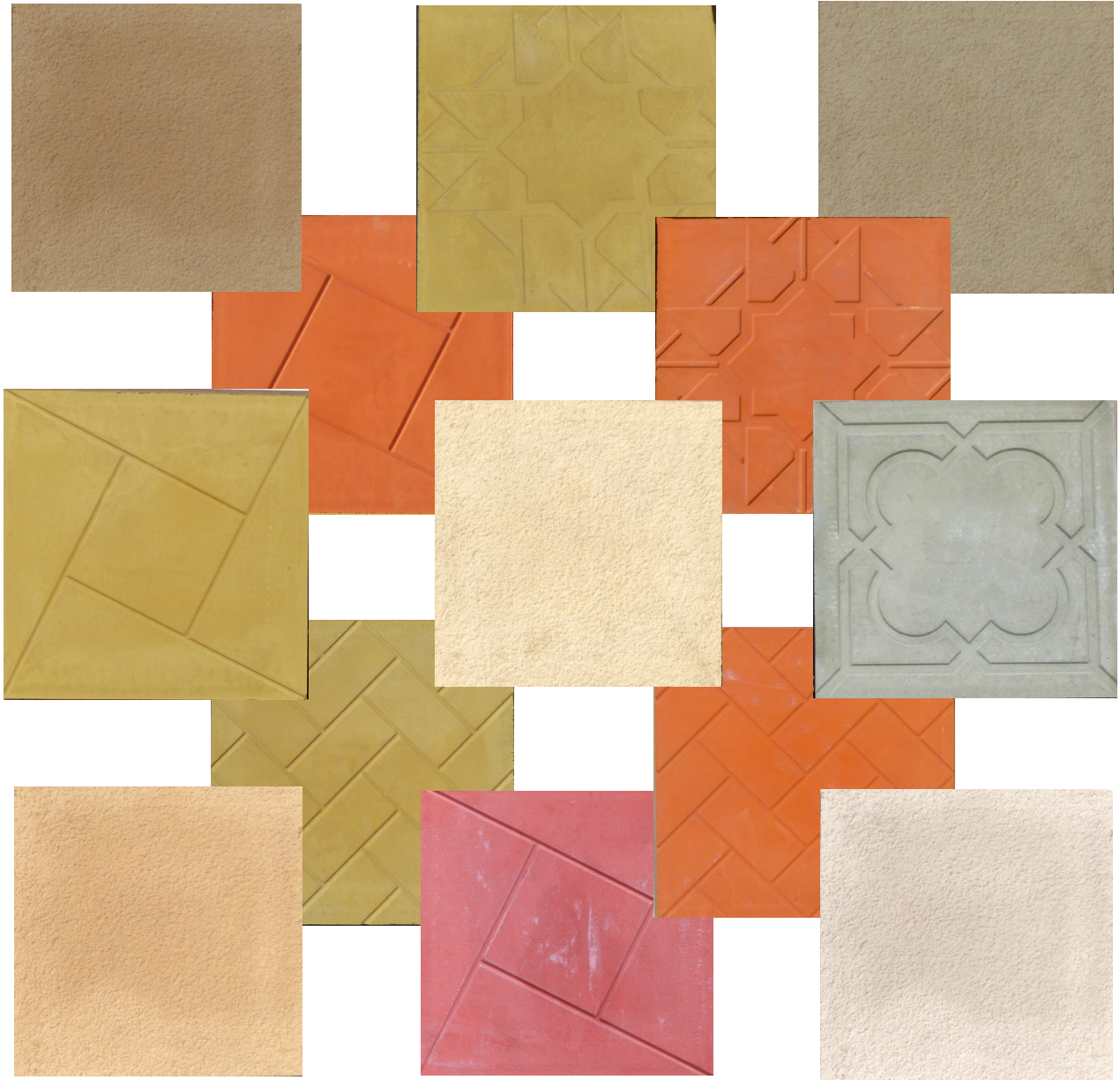
Fax: +974 44514778

E-Mail keith.smith@aamalcement.com



TECHNICAL DATA

Decorative Concrete Slabs 400x400-500x500mm



Conformity

Aamal decorative products are manufactured
Conforming to QCS 2014

Aamal Cement Industries Co.W.L.L

P.O Box: 40632, Doha - Qatar
Industrial Area, Street No 41

Tel: +974 44502010

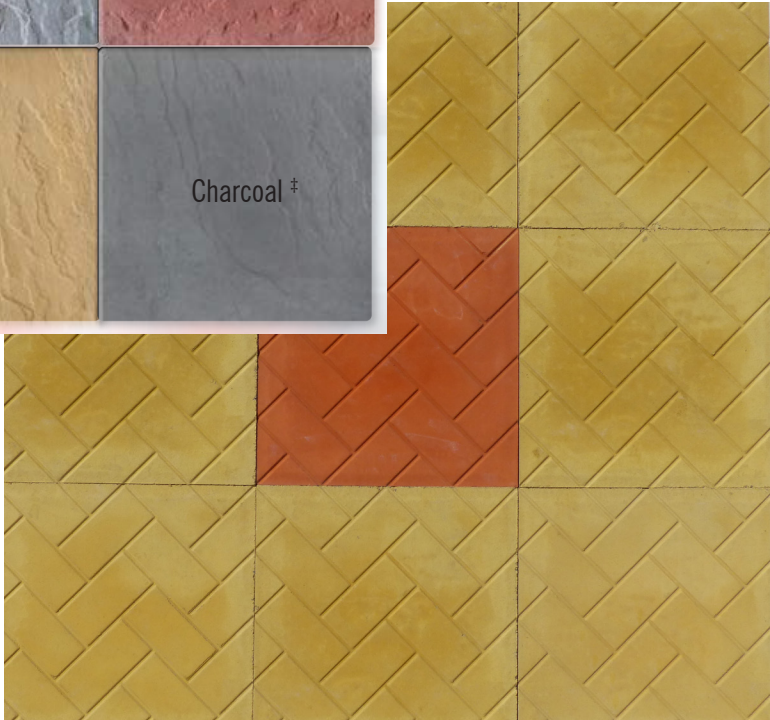
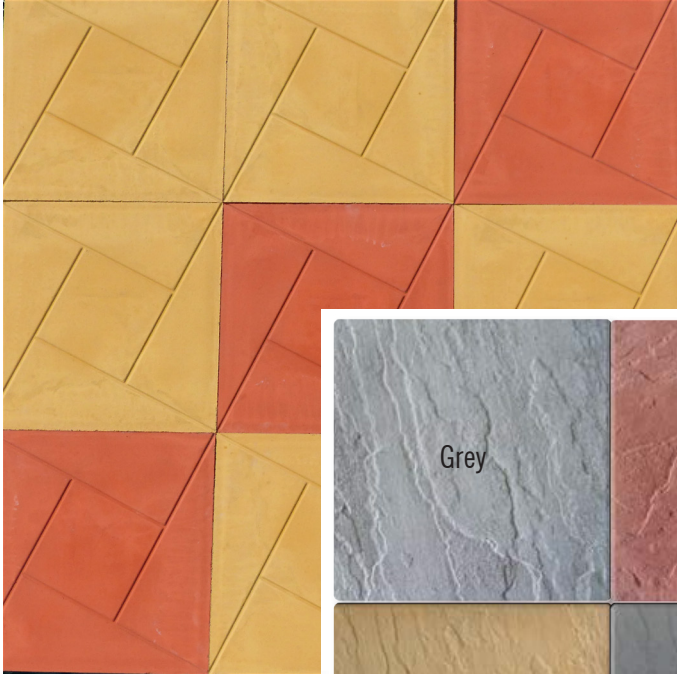
Fax: +974 44514778

E-Mail keith.smith@aamalcement.com



TECHNICAL DATA

Decorative Slabs - Floor





TECHNICAL DATA

Decorative Slabs - Floor

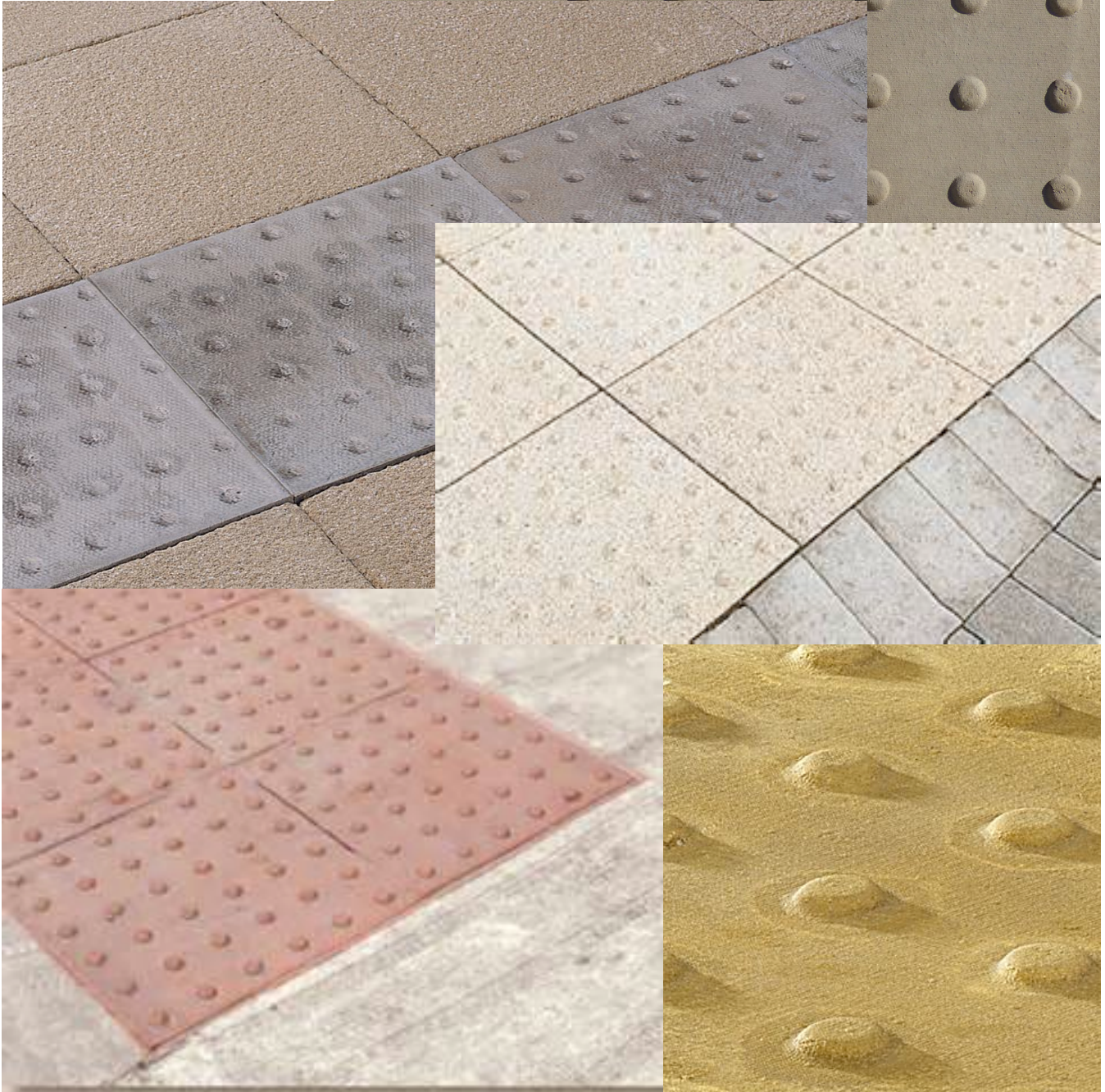




TECHNICAL DATA -Transport and Rail

Tactile / Pedestrian - Anti slip - Tiles

Slabs 400 x 400 x 50 / 60 mm 500 x 500 x 50 / 60 mm



Conformity

Aamal Cement products are manufactured
Conforming to QCS 2014

Aamal Cement Industries Co.W.L.L

P.O Box: 40632, Doha - Qatar

Industrial Area, Street No 41

Tel: +974 44502010

Fax: +974 44514778

E-Mail keith.smith@aalacement.com

TECHNICAL DATA - Directional / Hazard Warning



Conformity

Aamal Curbstone are manufactured
Conforming to QCS 2014

Aamal Cement Industries Co.W.L.L

P.O Box: 40632, Doha - Qatar

Industrial Area, Street No 41

Tel: +974 44502010

Fax: +974 44514778

E-Mail keith.smith@aamalcement.com

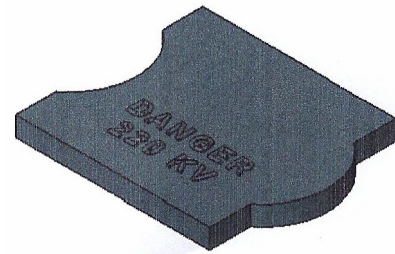
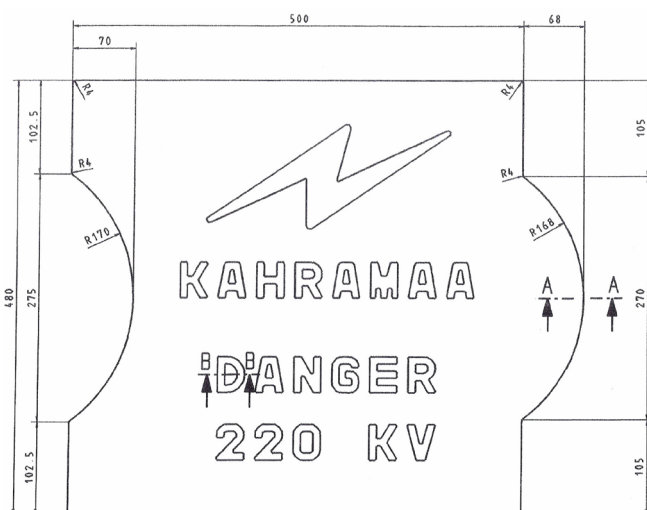
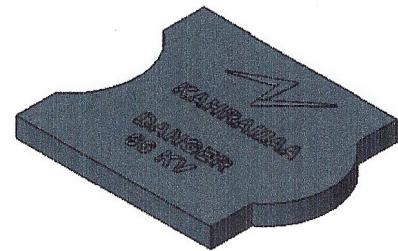
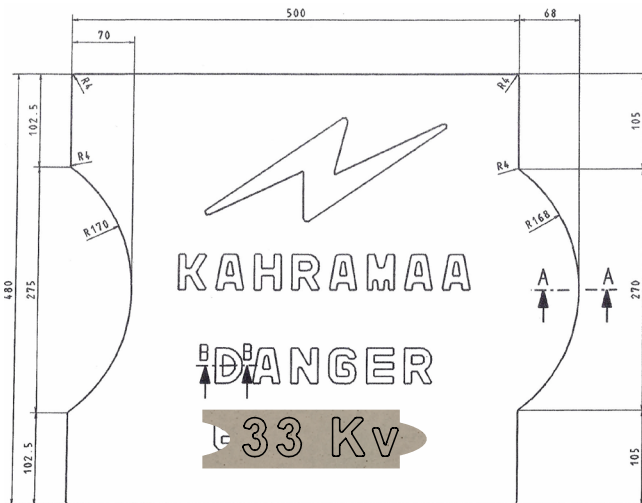
TECHNICAL DATA

CONCRETE CABLE COVERS SRC



HYDRAULIC PRESSED

Concrete cable covers lettering and numbers will be manufactured to client specification



Conformity

Aamal Cable covers are manufactured
Conforming to (QCS 2014)
All Cable covers manufactured using Macro
Fibre Reinforcement (STRUX 90/40)

Aamal Cement Industries Co.W.L.L

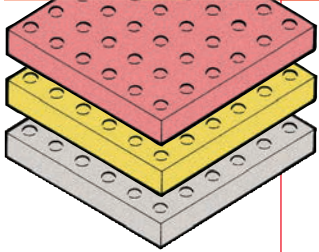
P.O Box: 40632, Doha - Qatar
Industrial Area, Street No 41

Tel: +974 44502010

Fax: +974 44514778

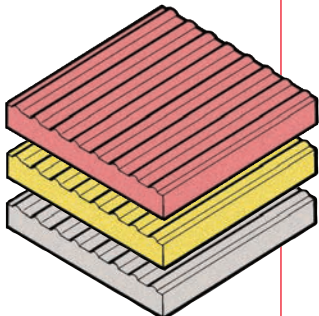
E-Mail keith.smith@aamalcement.com

TECHNICAL DATA - Directional / Hazard Warning APPLICATIONS



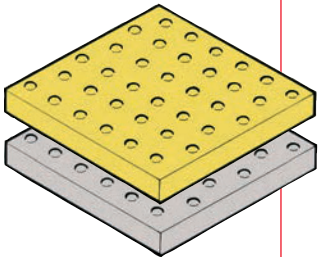
BLISTER PAVING

Used for the identification of the presence of a dropped Kerb at a appropriate controlled and uncontrolled pedestrian crossing



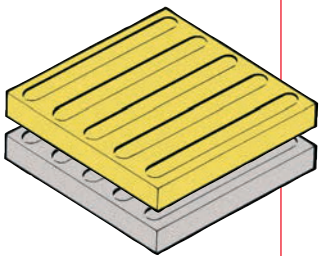
HAZARD WARNING PAVING

*For use in pedestrian areas which require caution
These blister pattern pavings warn of such hazards as pedestrian / cycle path crossings and flights of stairs*



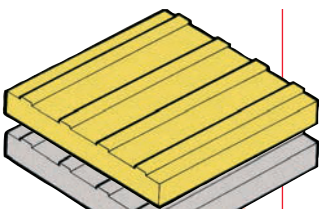
PLATFORM EDGE PAVING

The offset blister pattern indicates the presence of a platform edge around 0.5 metres away. parallel to the installation. Used on both heavy rail or off-street LRT platforms



DIRECTIONAL PAVING

In large open spaces such as shopping malls these distinctive round end flat bars guide the visually impaired. The bars follow the line of travel or show a change of direction when laid at right angles.



CYCLEWAY / FOOTPATH PAVING

Where pedestrians and cycles share the same route these segregate the two. They are laid at the start of the path lengthways to denote the cycle path and transversely for pedestrians. A central delineation strip then runs the full length of the shared pathway separating pedestrians from cycles

Aamal Cement Industries Co.W.L.L

P.O Box: 40632, Doha - Qatar

Industrial Area, Street No 41

Tel: +974 44502010

Fax: +974 44514778

E-Mail keith.smith@aamalcement.com



TECHNICAL DATA

Concrete Wood Effect Panels



Style	Dimensions mm	Height mm	Weight Kg	Strength N/mm ²	Pcs m ²	Area m ²
Wood Effect	914 x 255	50/75/100/12 5/150				

Conformity *

Aamal paving stones are manufactured
Conforming to QCS 2014

Aamal Cement Industries Co.W.L.L

P.O Box: 40632, Doha - Qatar
Industrial Area, Street No 41

Tel: +974 44502010

Fax: +974 44514778

E-Mail keith.smith@aamalcement.com